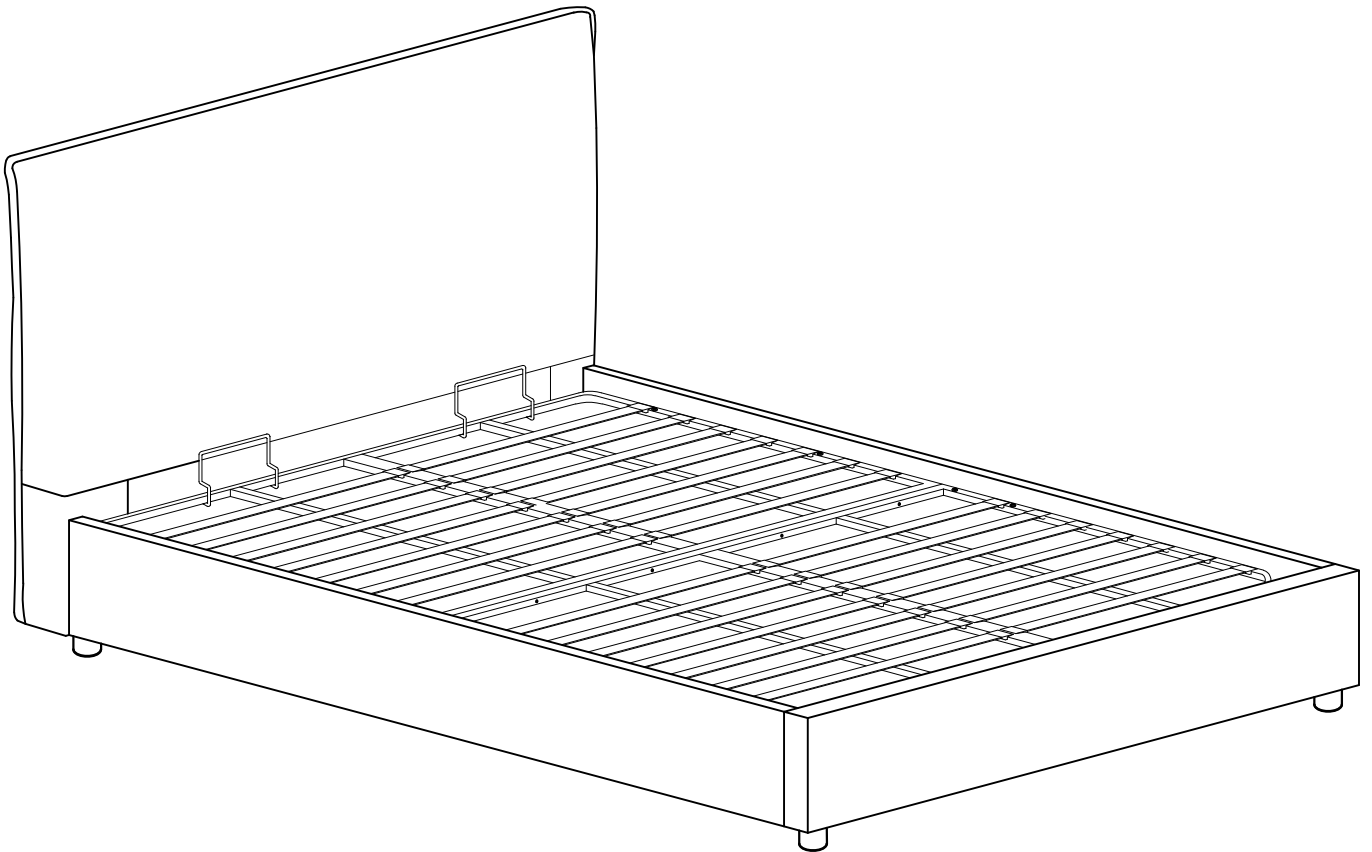
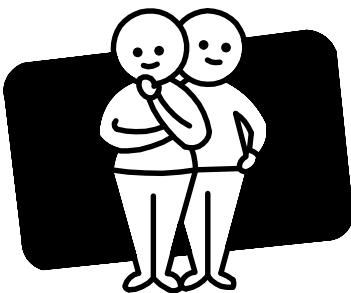


OML

Version 2.0



TWO PEOPLE



REQUIRED

EDGE

QUEEN/KING BED WITH GAS LIFT

Enjoy
Your purchase From

OMU

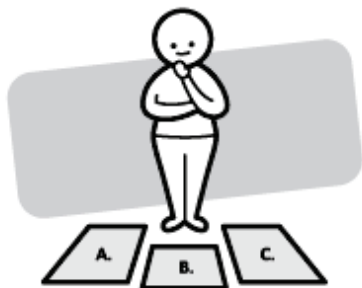
Assembly checklist



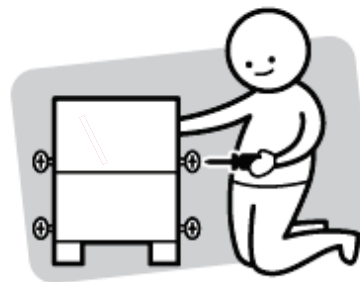
Read through the instructions carefully before you begin.



Make sure you have all the required tools. Never use power tools unless instructed.



Identify and lay out all of the components before you begin assembly.



Unless instructed, do not fully tighten screws until the item is fully assembled.

Useful Information

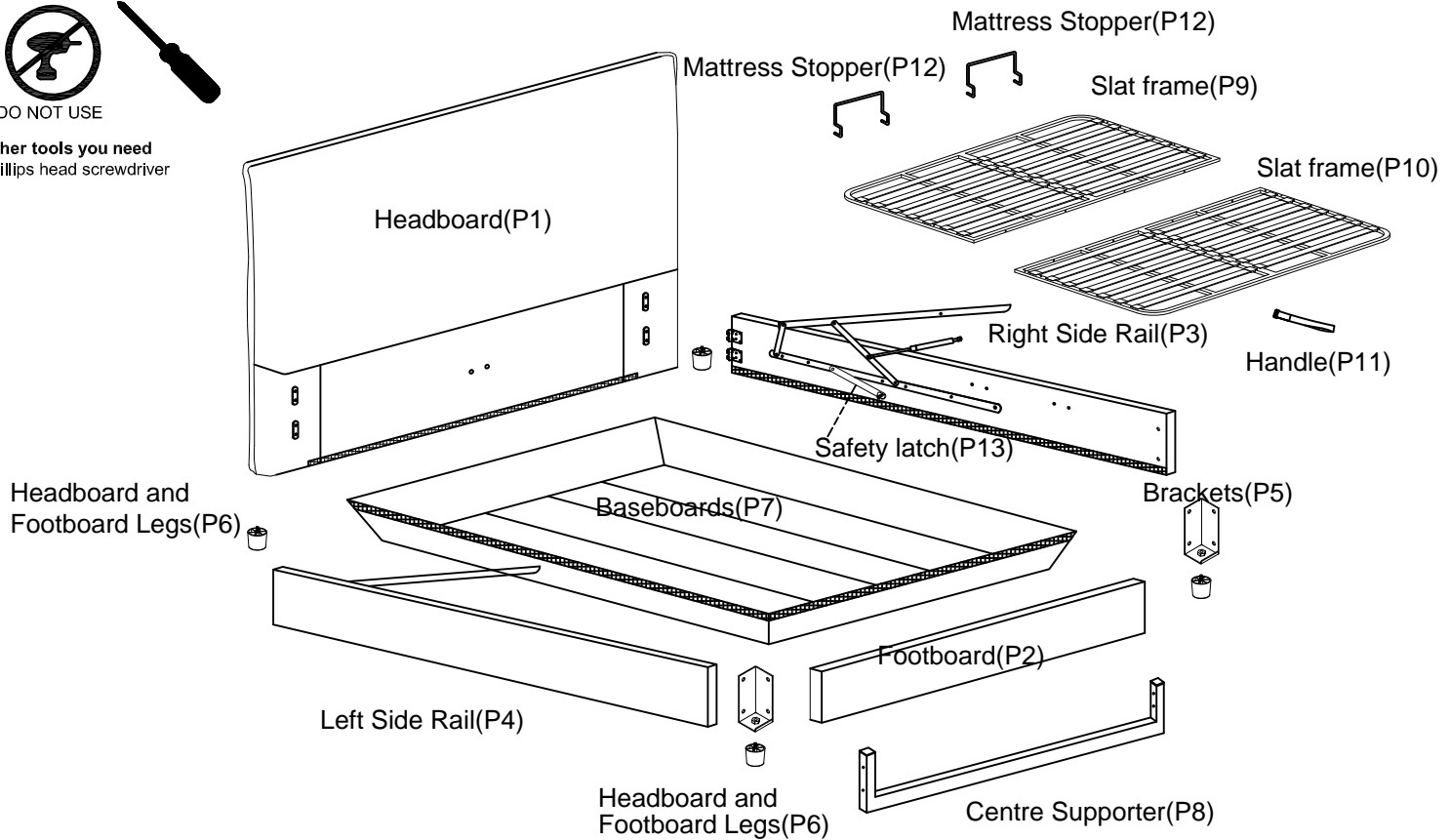
- ! Never use power tools unless specifically instructed. They can damage your components or hardware if used incorrectly.
- ! The most common mistakes made during assembly are using the wrong hardware or getting components back to front.
- ! Always use a soft surface (such as carpet or cardboard) when assembling your product to avoid scratching or damaging the surface of the product.
- ! Bulky items such as wardrobes and bunk beds should be assembled in the room they will be used in as they may not fit through a door once assembled.
- ! Never use any glue until you are certain that the parts belong together.
- ! Periodically check and re-tighten all fasteners. Check the product care label or website for product care instructions.
- ! If you are having any difficulties assembling your product, missing any hardware or components please visit our website Help Centre for further assistance.

What you need to assemble the product



DO NOT USE

Other tools you need
Phillips head screwdriver



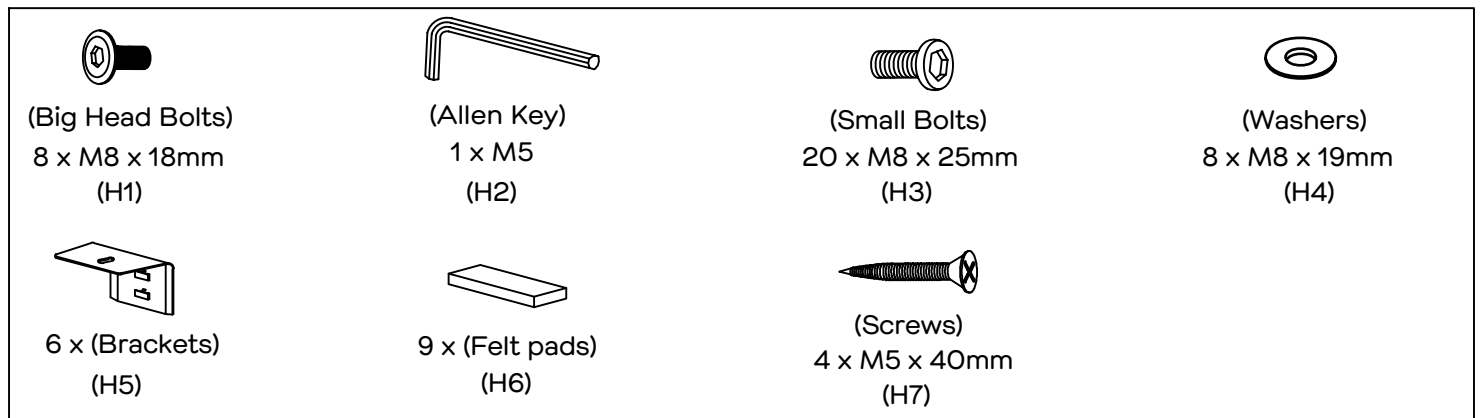
Parts list

Box 1 : Footboard (P2) ; Right Side Rail (P3) ; Left Side Rail (P4) ; Brackets (P5) ; Headboard/Footboard Legs (P6) ; Baseboards (P7) ; Centre Supporter (P8) ; Handle (P11) ; Safety latch (P13) ; Hardware Pack for assembling bed.

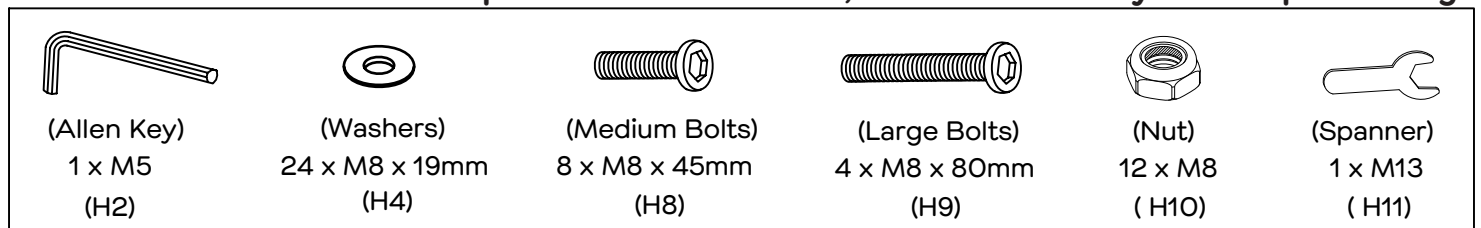
Box 2 : Headboard (P1).

Box 3 : Slat frame (P9) ; Slat frame (P10) ; Mattress Stopper (P12) ; Hardware Pack for slat frame.

Attention: Below hardware is packed in the fitting box



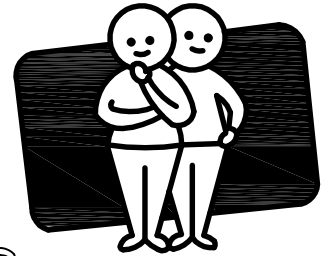
Attention: Below hardware is packed with slat frame, do not throw away the red plastic bag



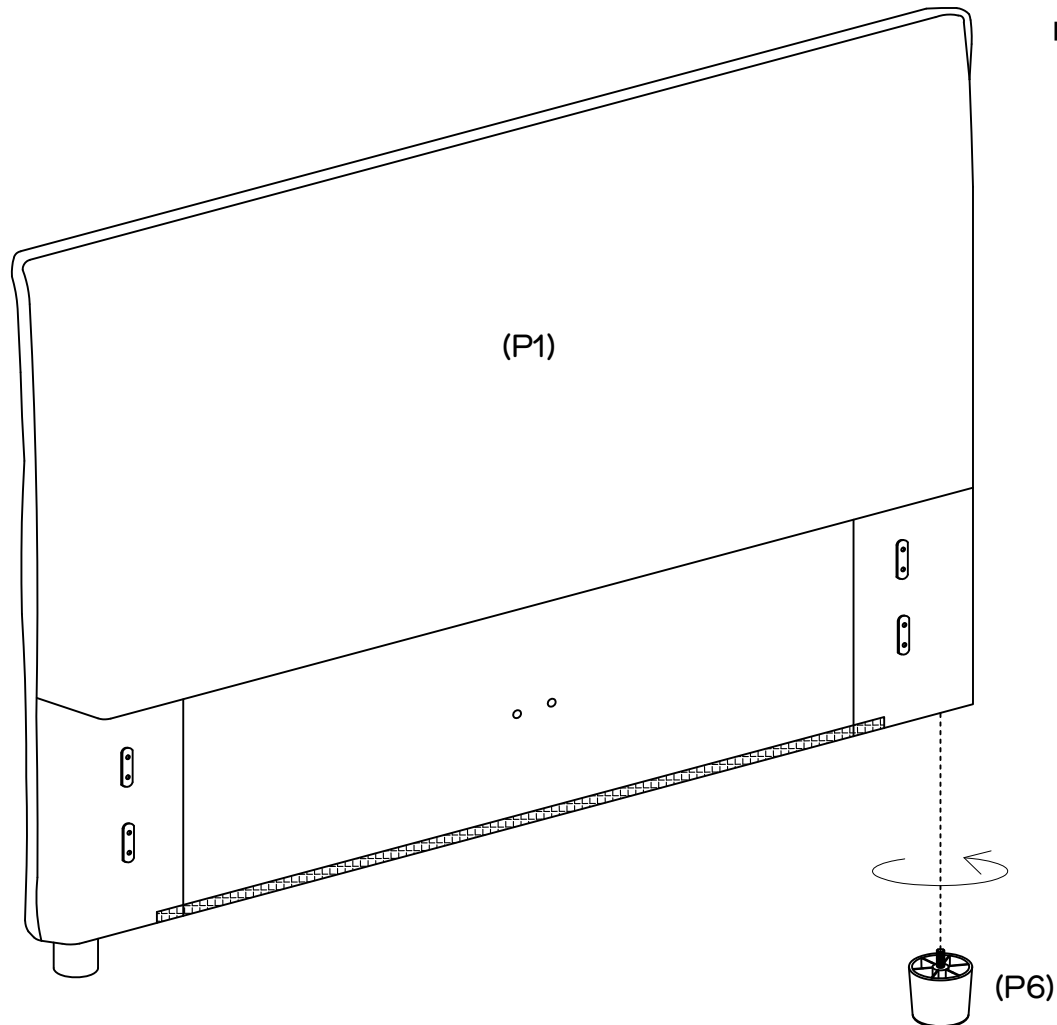
Please make sure you have all these parts before you start

Step 1

TWO PEOPLE






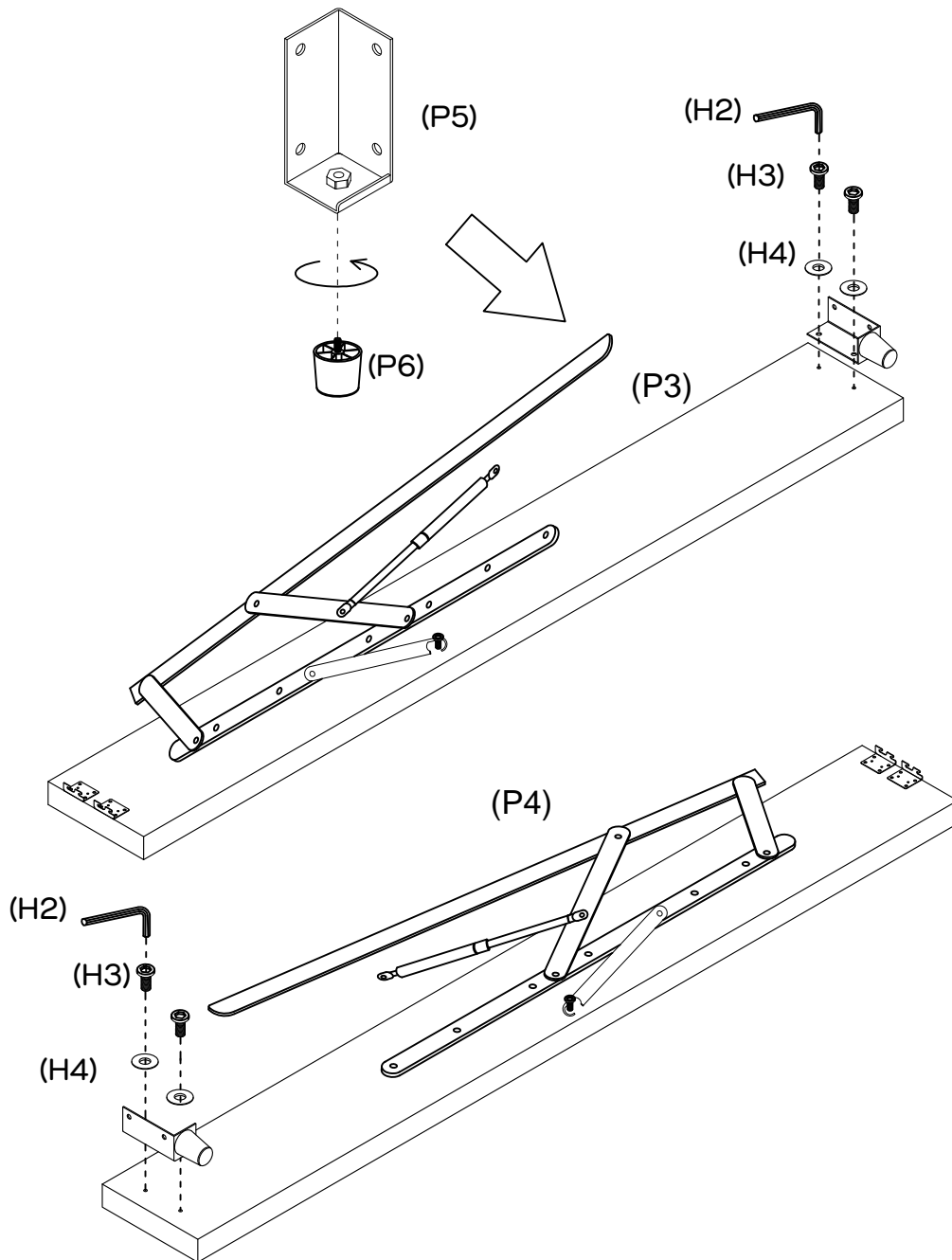
REQUIRED



Attach 2 x legs (P6) to the bottom of headboard (P1) , rotate the legs until they are fully tightened.

Step 2



You will need		
		
Allen Key (H2)	4 x Small Bolts 25mm (H3)	4 x Washers M8 (H4)

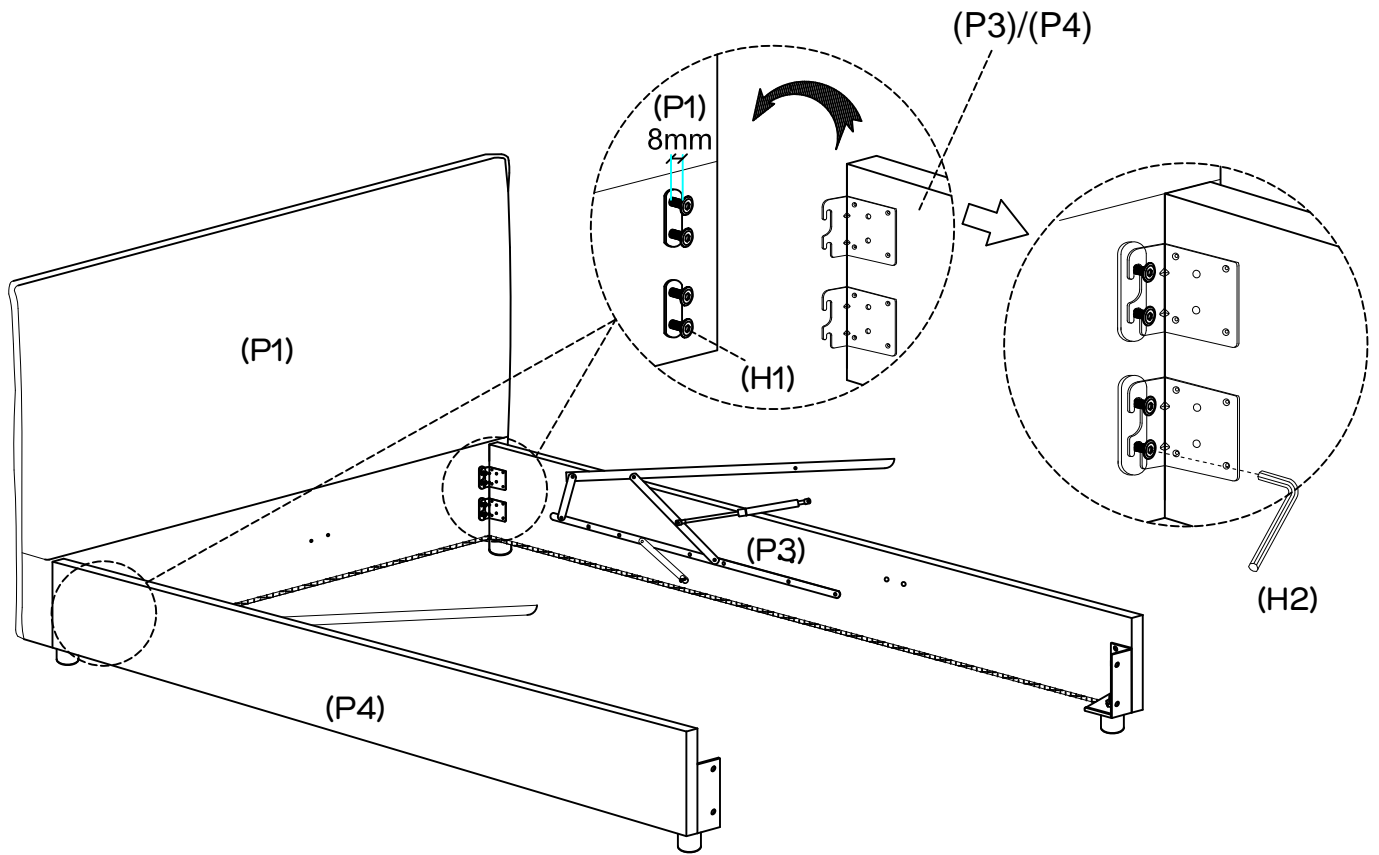


Attach footboard legs (P6) to the bottom of leg brackets (P5), rotate the legs until they are fully tightened. Then, attach leg brackets (P5) to the side rails (P3/P4) with 4 x washers (H4) and 4 x bolts (H3) by using the allen key (H2).

Please do not tighten all the bolts until Step 8 .


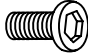

Step 3

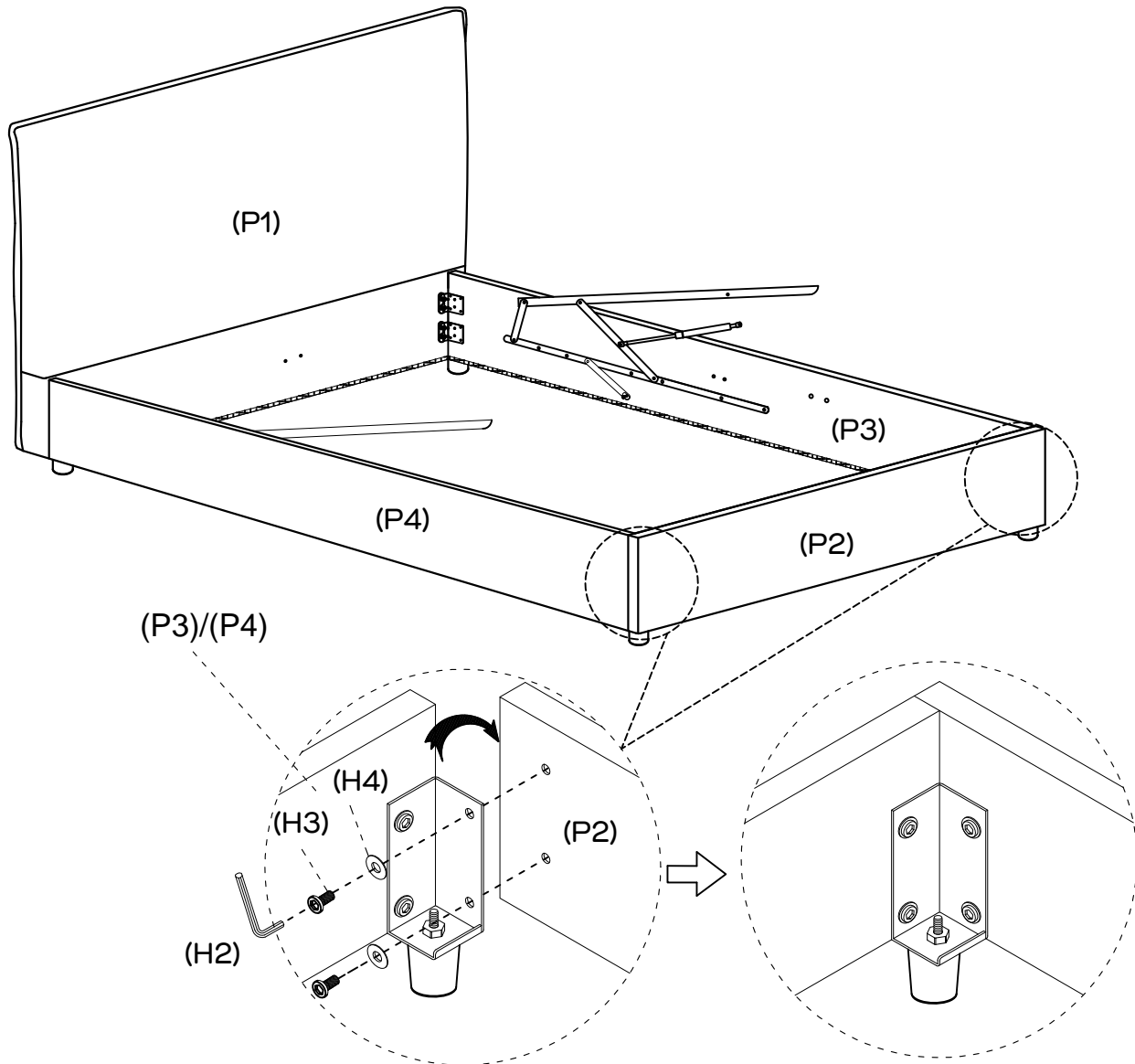
You will need	
	
8 x Big Head Bolts 18mm (H1)	Allen Key (H2)



Install 8 x big head bolts (H1) to the brackets of the headboard (P1) by using allen key (H2) as shown, do not tighten the bolts and keep them 8mm loose.
Then attach side rails (P3)/(P4) to headboard (P1) by slotting the bracket onto the bolts as shown.
Please do not tighten bolts until Step 8.



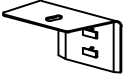
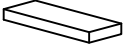
Step 4

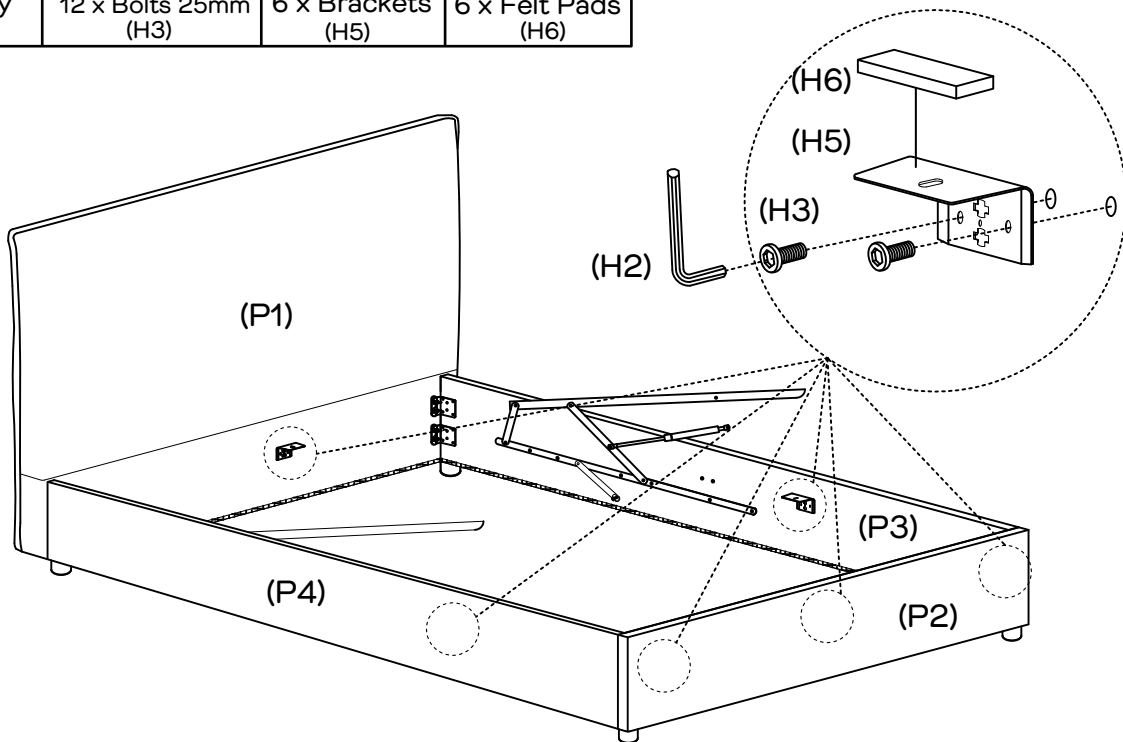
You will need		
		
Allen Key (H2)	4 x Small Bolts 25mm (H3)	4 x Washers M8 (H4)



Attach the footboard (P2) to the side rails (P3/P4) with 4 x small bolts (H3) and 4 x washers (H4) by using allen key (H2).
Please do not tighten bolts until Step 8.

Step 5

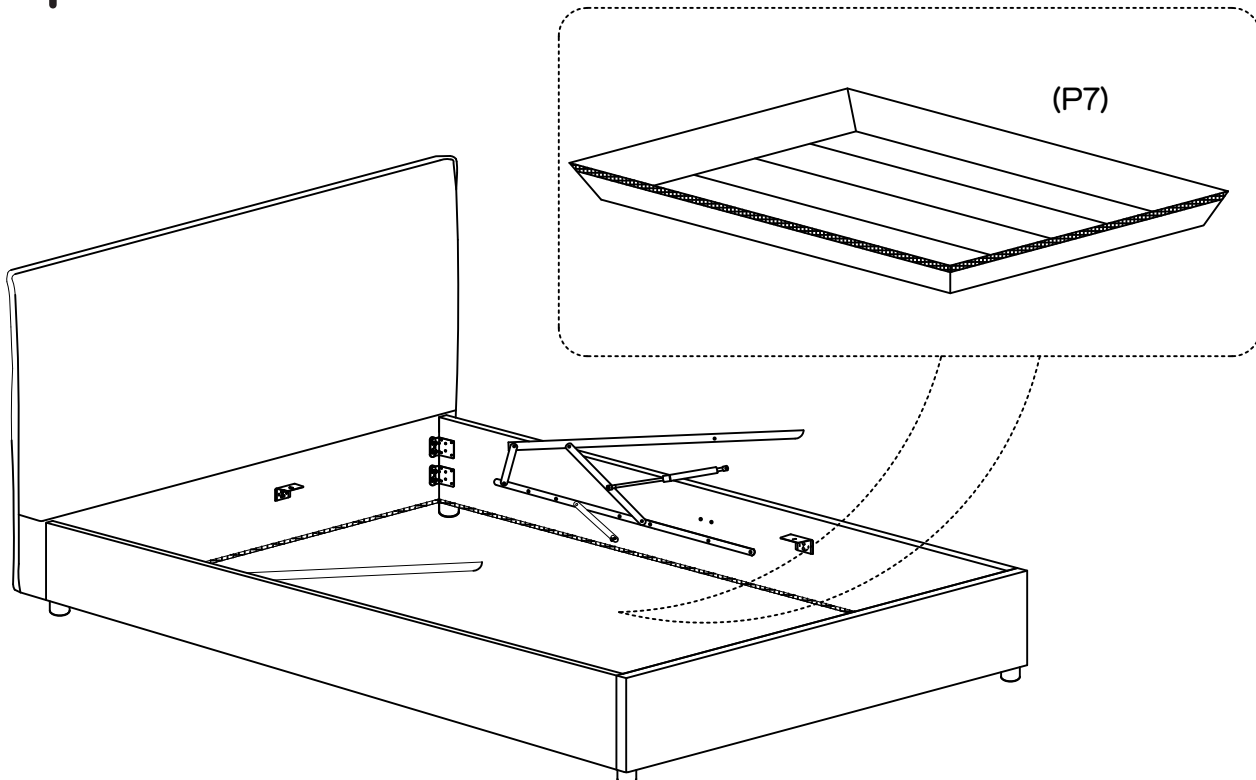
You will need			
			
Allen Key (H2)	12 x Bolts 25mm (H3)	6 x Brackets (H5)	6 x Felt Pads (H6)



Attach 6 x brackets (H5) to headboard (P1), footboard (P2) and side rails (P3/P4) with 12 x bolts (H3) by using allen key (H2).

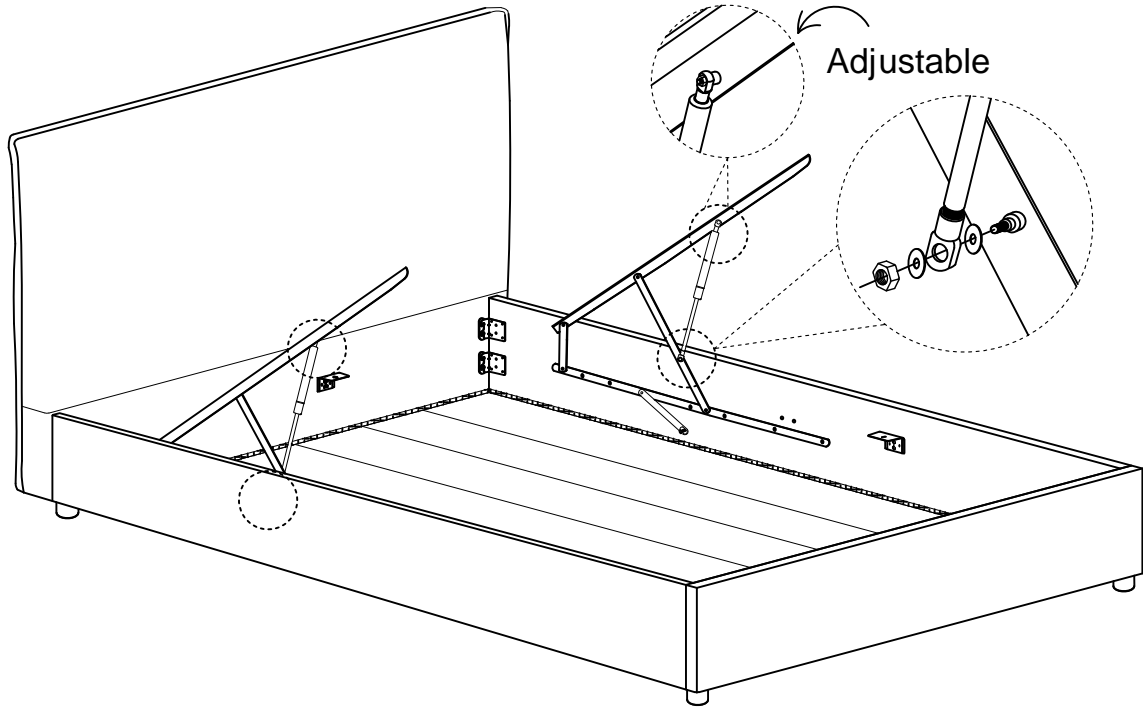
Stick 6 x felt pads (H6) onto 6 x brackets (H5).

Step 6





Place the baseboard (P7) into the bed as shown and velcro to all sides.

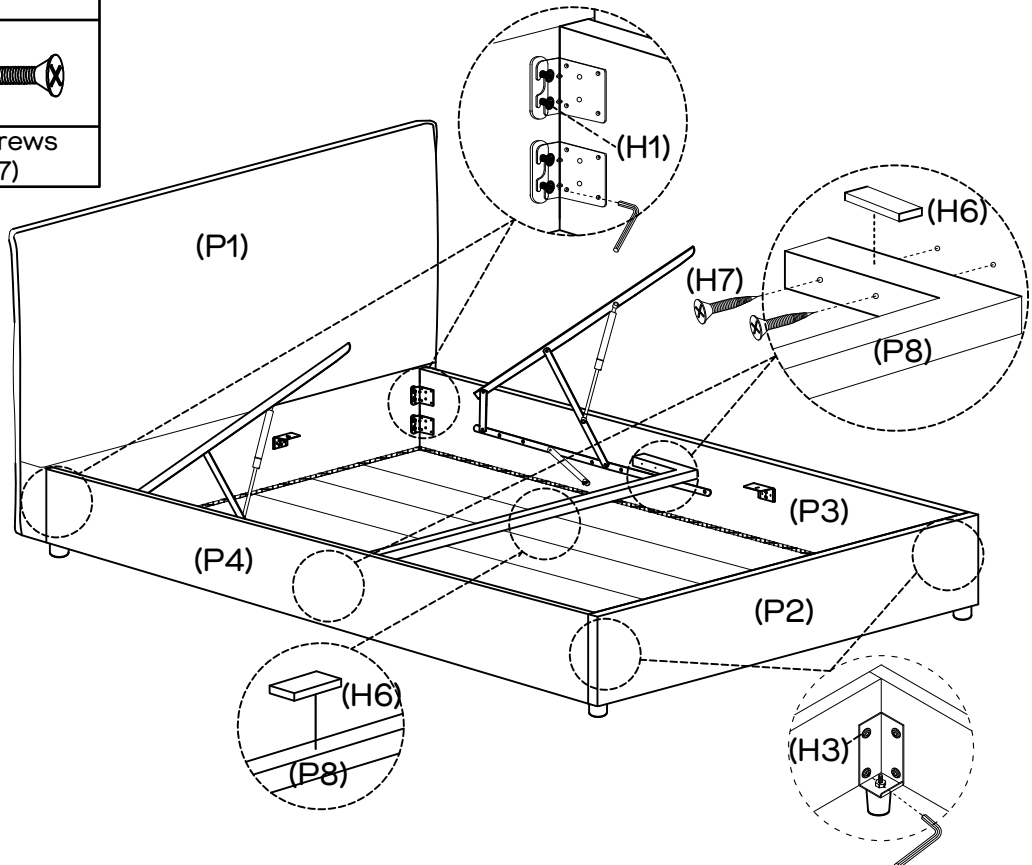
Step 7



Loosen the nuts and washers on the bottom of rod bracket, attach the gas struts to the bottom of rod bracket using the bolt, then tighten the nut and washers. The bolt on the top of gas struts is adjustable, if the nuts and washers on the bottom of rod bracket can't be fitted.



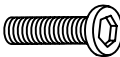


Step 8

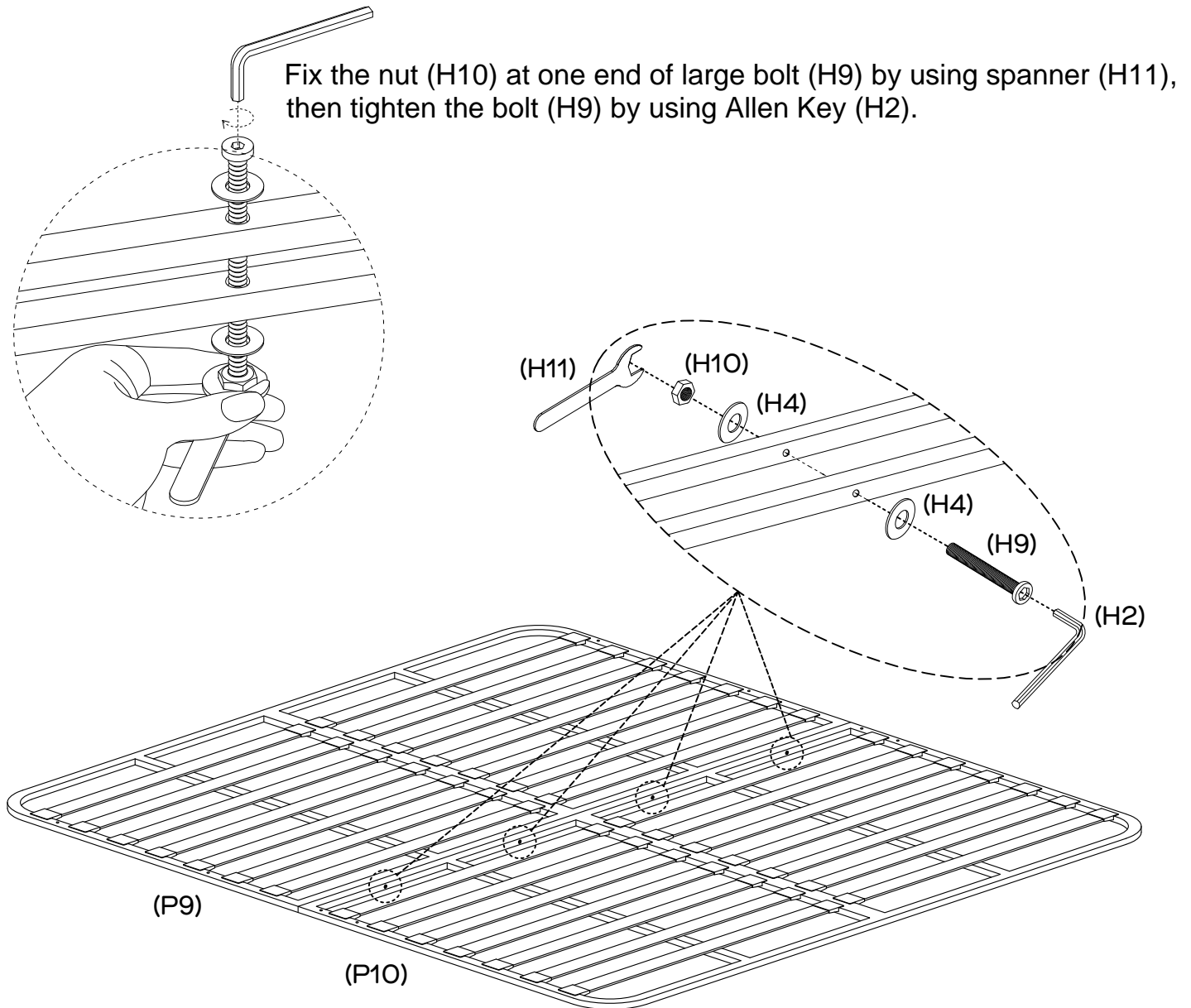
You will need	
	
3 x Felt pads (H6)	4 x Screws (H7)



Attach metal centre supporter (P8) to side rails (P3/P4) by 4 x screws (H7). Then stick 3 x felt pads (H6) on the metal centre supporter as shown. Then, tighten all the bolts (H1) and small bolts (H3) on the four corner. Make sure baseboard (P7) velcro to all sides.

Step 9- Assembling the Slats Frame



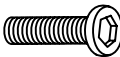


You will need				
				
Allen Key (H2)	8 x Washers (H4)	4 x Large Bolts 80mm (H9)	4 x Nut (H10)	1 x Spanner (H11)



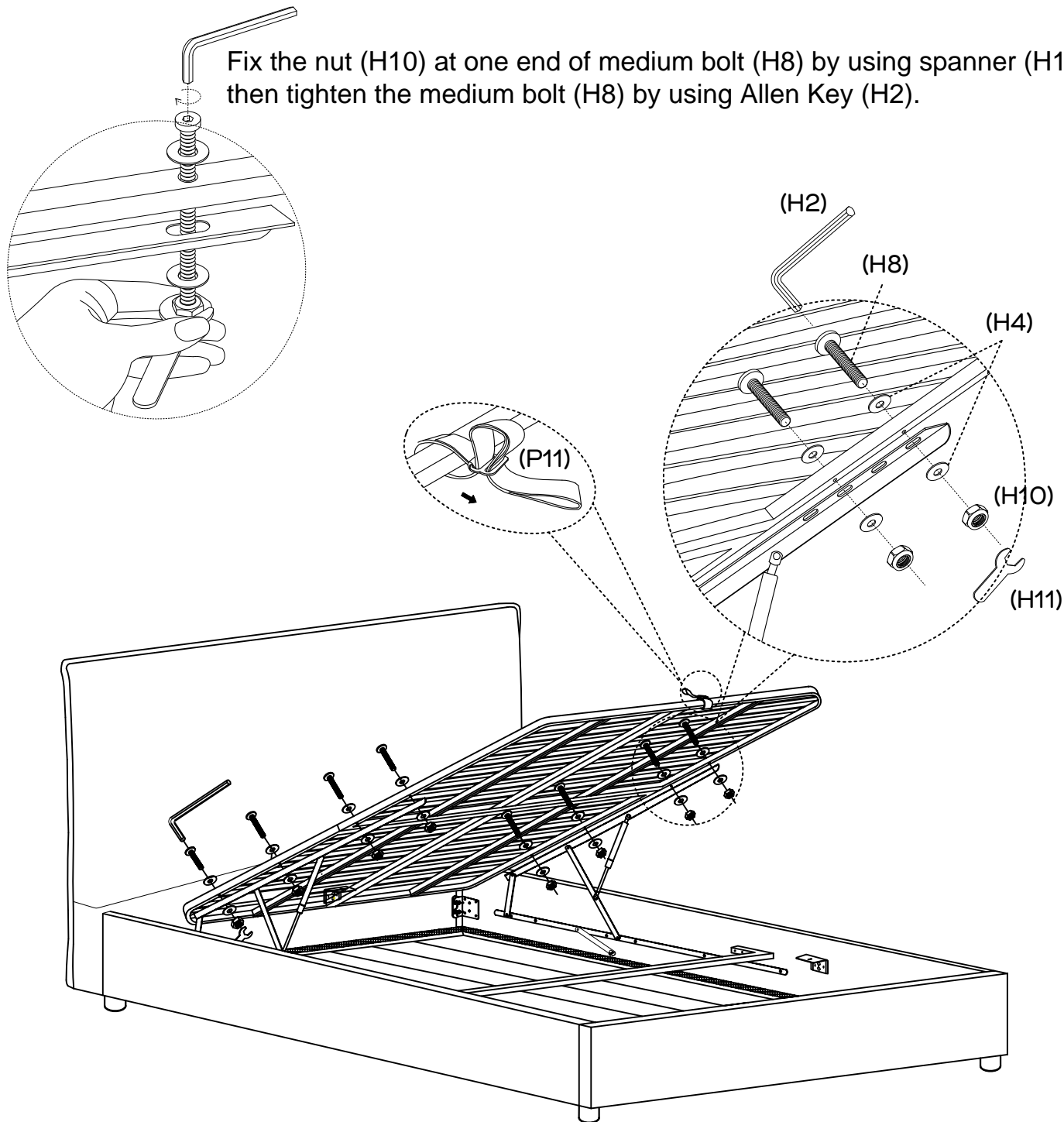
Place the folded slat frame as shown. Attach two parts together with 8 x washers (H4), 4 x nuts (H10) and 4 x large bolts (H9) by using Allen key (H2) and spanner (H11).

Step 10-Attaching the Slats Frame to the Bed

You will need

				
Allen Key (H2)	16 x Washers (H4)	8 x Medium Bolts 45mm (H8)	8 x Nut (H10)	1 x Spanner (H11)

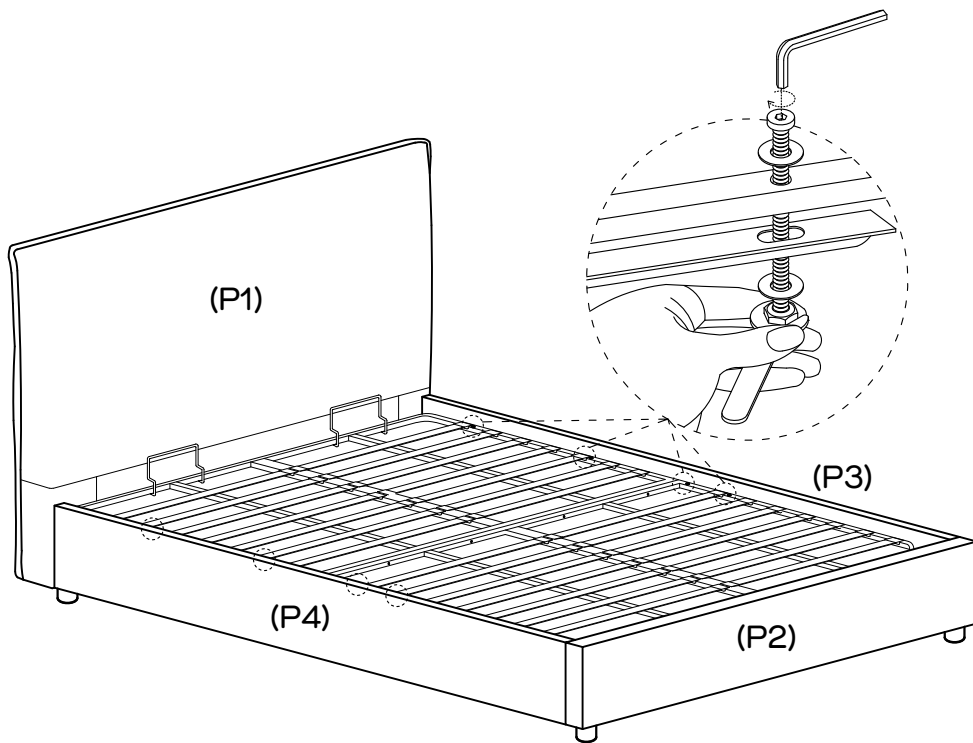
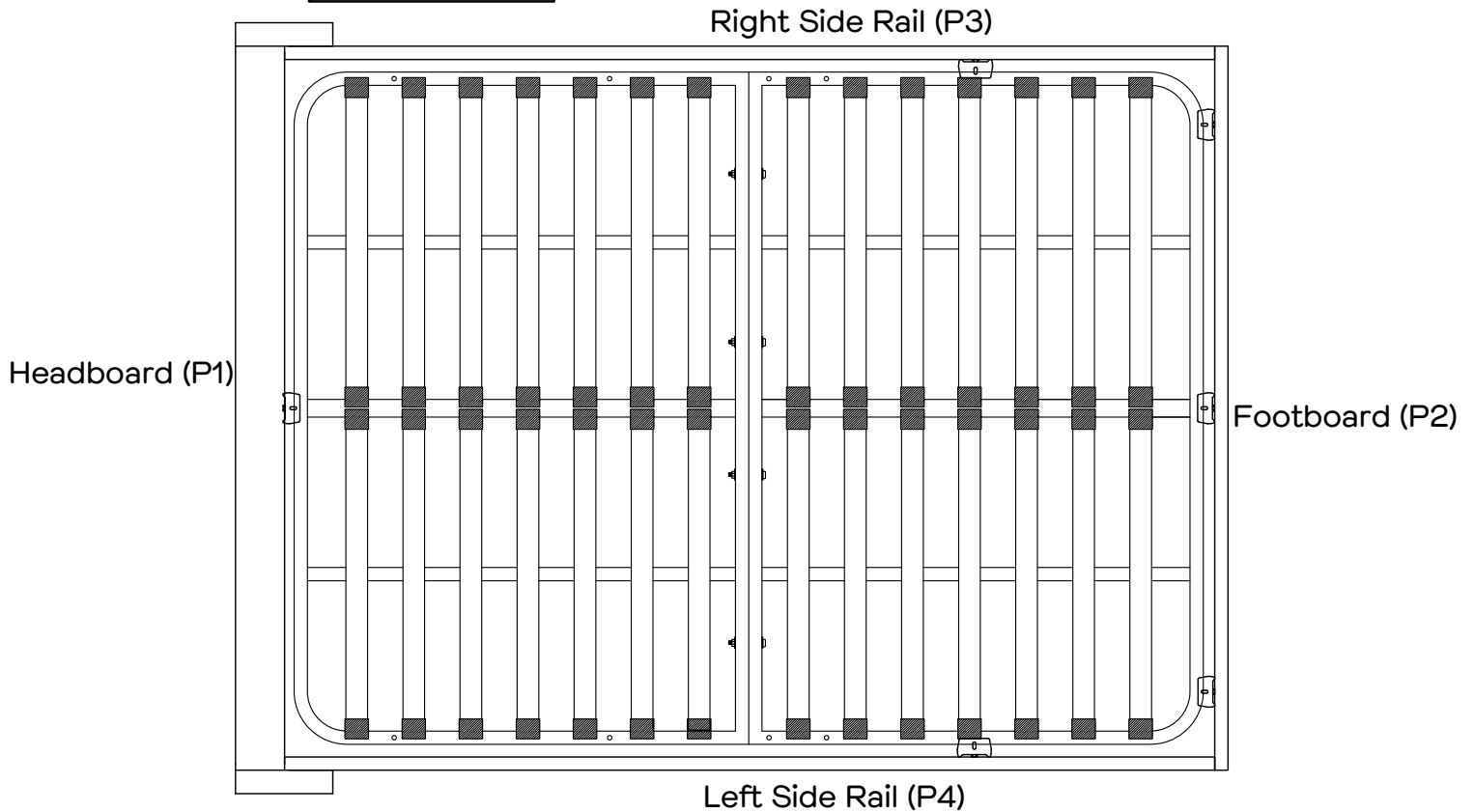
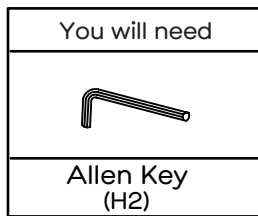
Fix the nut (H10) at one end of medium bolt (H8) by using spanner (H11), then tighten the medium bolt (H8) by using Allen Key (H2).



Ensure the bed inner space is square.

Attach slat frame (P9/P10) to mechanism + piston (P3/P4) using 8 x medium bolts (H8), 8 x nuts (H10) and 16 x washers (H4). Do not fully tighten all the bolts (H8) until Step 11.

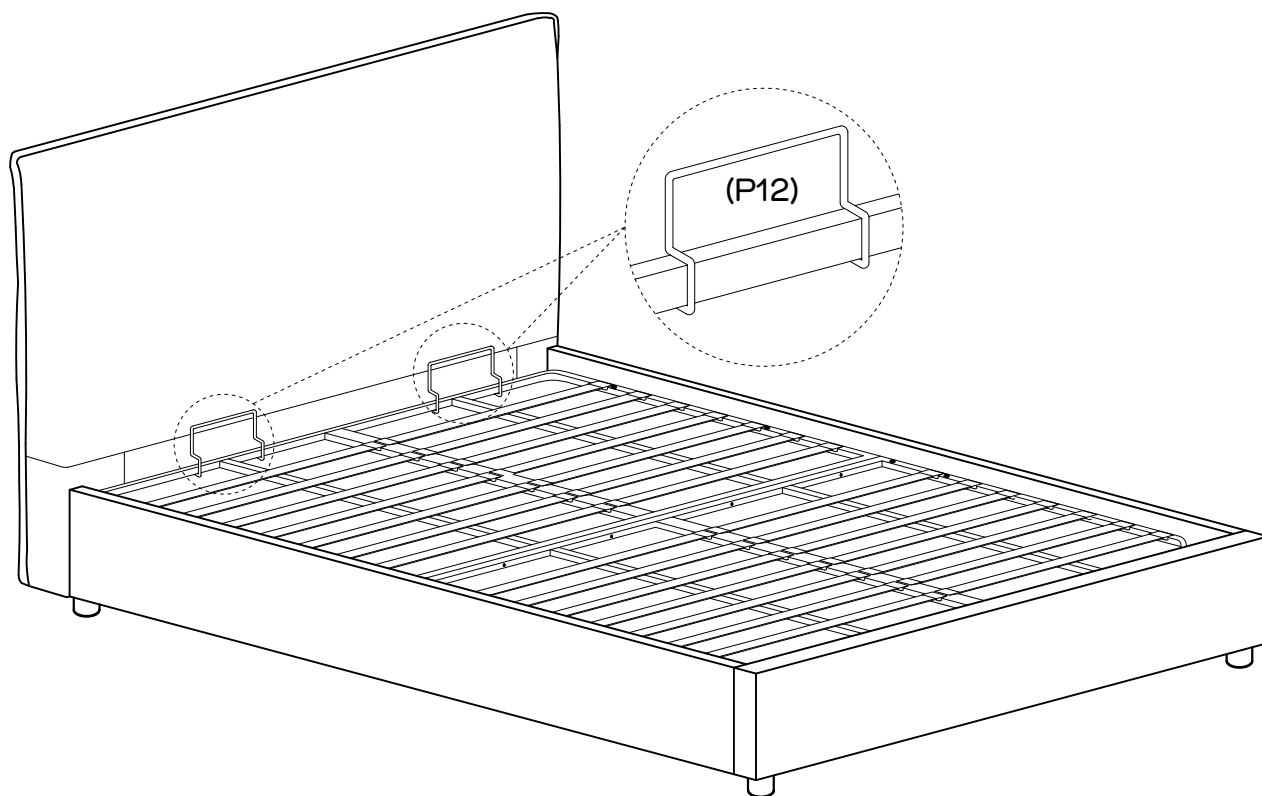
Step 11



Attention:

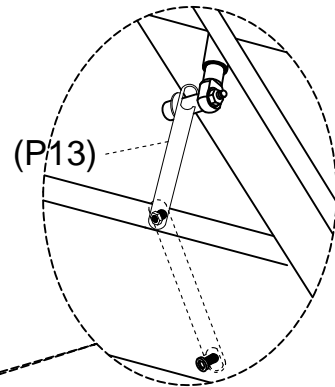
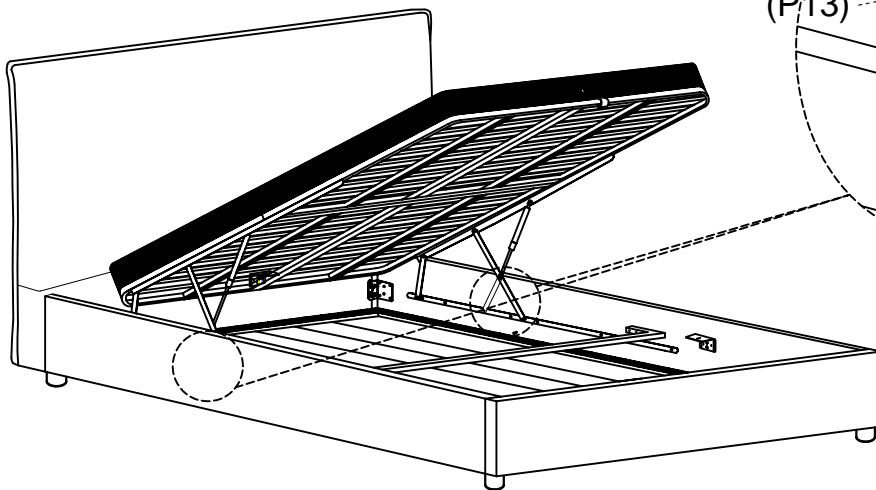
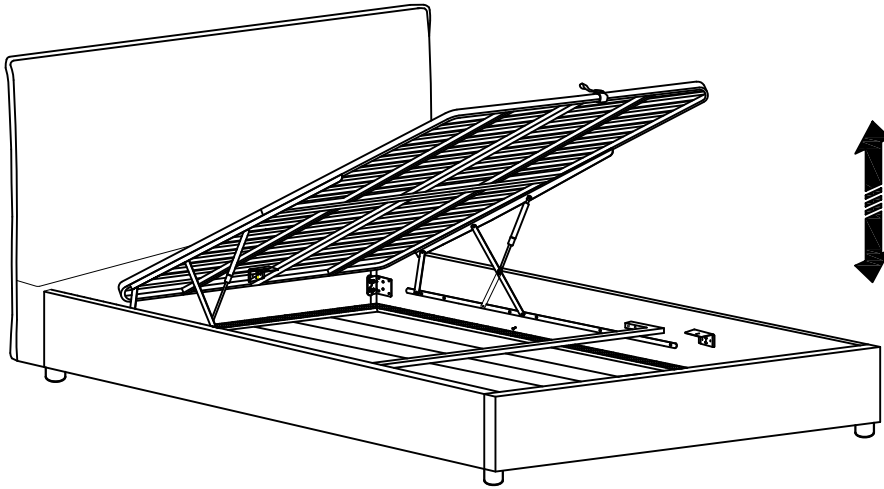
Close the slat frame(P9/P10). Adjust the slat frame to ensure slat frame are centered with even gaps all around before fully tightening bolts. Fully tighten the bolts and nuts on slat frame(P9/P10) and mechanism + piston (P3/P4) by using Allen Key (H2) and Spanner (H11).

Step 12



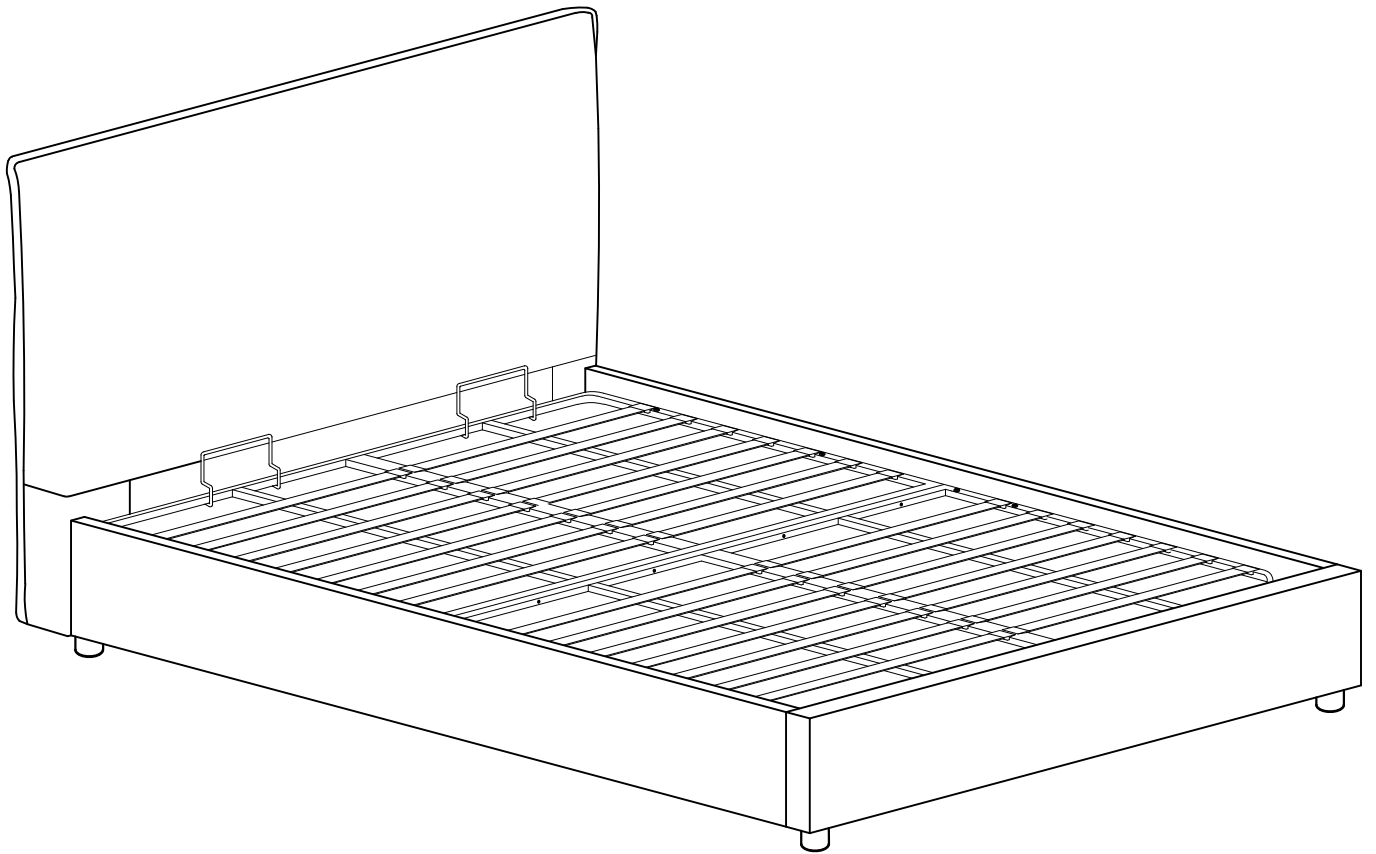
Secure the mattress stopper (P12) to slat frame near the headboard (P1) .

Step 13



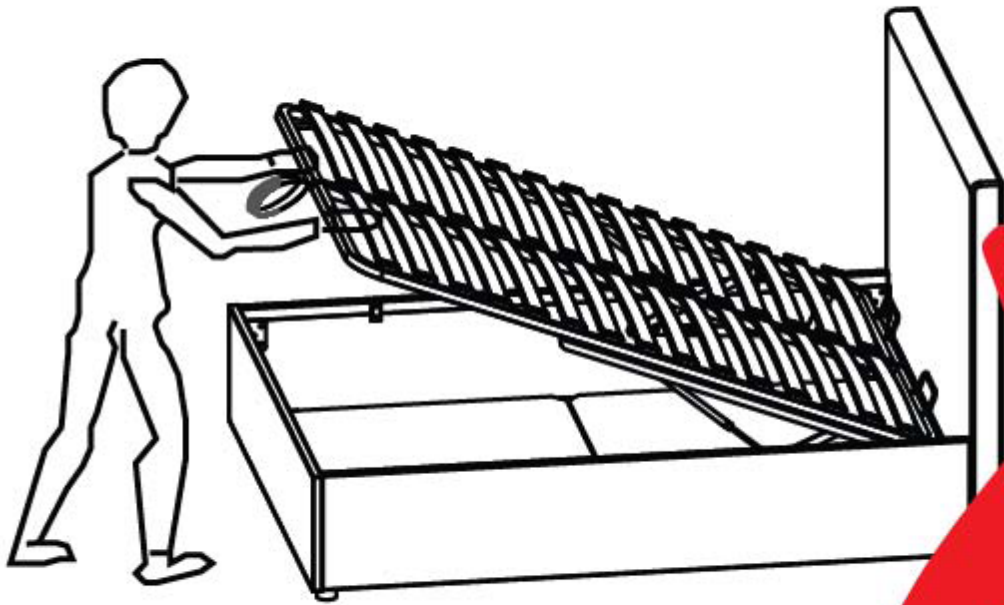
Make sure the Mattress is on the Base before closing.
For Consumer Safety, please Clip/attach the Safety Latch part(P13)
to the Mechanism part on both sides to avoid the base falling down,
in case there is a fault with the gas struts.
Please unclip both sides before closing the lift base, then attach the
safety latch on the black bolts as shown above drawing.

Step 13

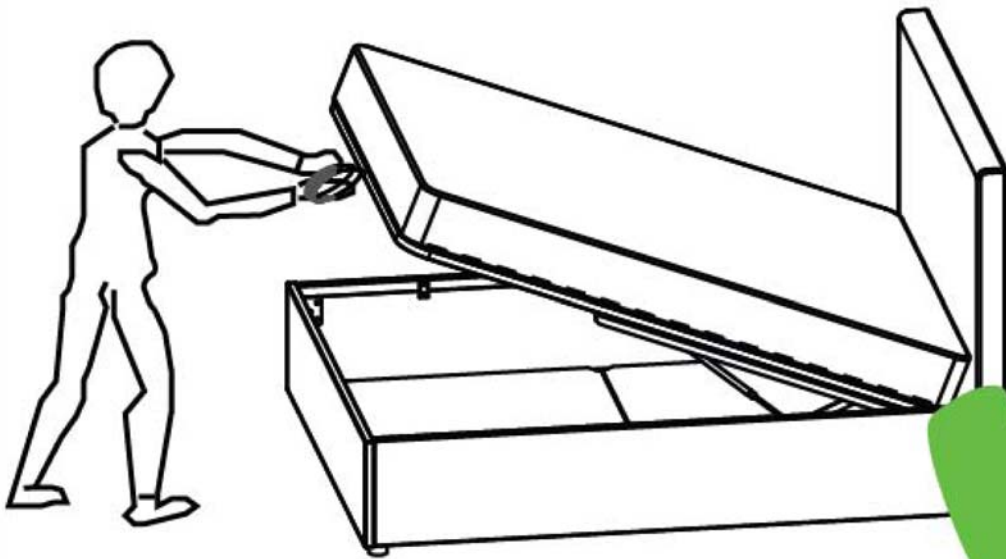


Job Complete

In the interest of our environment please dispose of all packaging thoughtfully.



DON' T LIFT WITHOUT MATTRESS



ENSURE MATTRESS IS ON
BEFORE LIFTING