



100% **COMFY**

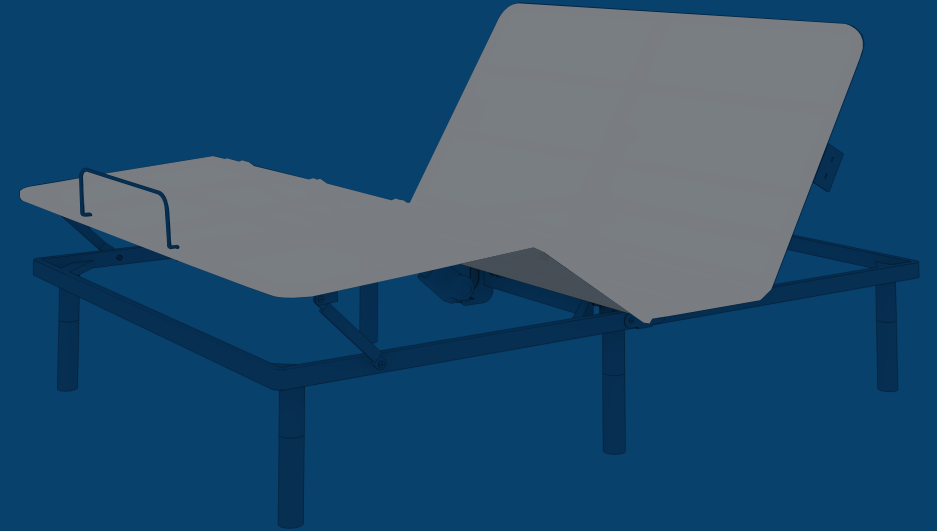
www.omf.net.au



100% **COMFY**

OWNER'S MANUAL

Essentials Motion Adjustable Base



Queen Size

Contents

Return Policy	02
Safe Use & Operation Guidelines	02
Weight Restrictions	03
Product Rating	03
Components	03
Assembly Instructions	04
Remote Control	07
5-Year Warranty Statement for Manufacturing Defects	08

Return Policy

OMF believes you will absolutely love your Essentials Motion Adjustable Base with Customizable Leg Height , but if for some reason you want to return the product, then please contact us directly before you decide to return your product. Our customer service team can address most concerns and can assist you with any questions you may have about your new purchase.

For more information

www.omf.net.au

The item must be returned in good condition, in original box, with all original proof of purchase, parts and accessories, within the time frame specified by the retailer it was purchased from.

Safe Use & Operation Guidelines

This bedframe is exclusively designed and manufactured for use indoors only.

Don't try to impress the neighbors with it on the patio – just saying!

- Also, this bedframe is meant for residential use. As tempting as it may be to take your bed with you to a hospital, please note that it is not approved for hospital use.
- Using the bed with oxygen administering equipment other than the nasal masked type creates a possible fire hazard. So don't do it!
- Exercise caution when using a nasal or masked type administering equipment. Route and secure air tubing properly to ensure that it doesn't get entangled or damaged when you operate the bed.
- Keep moving parts free of obstruction during bed operation (including sheets, clothing, tubing, wiring, and products using electric power cords). Just the basic stuff!
- Obviously, you want to be careful when having liquids in or around the bed to ensure no spilling occurs. It could damage

- **This is not a TOY**

Ensure all hands and limbs are away from openings and mechanisms at all times.

- the bedframe, mattress et al. But life happens! And if you end up spilling, stand in a dry, clean area of the floor and unplug the bed immediately. Clean up spill (remember what your mama taught you) and allow the area around bed to dry thoroughly before using the electric controls again. If you aren't great at cleaning up, then we recommend that you just don't eat or drink hot liquids while operating the bed.
- Let kids be kids! So do the adult-like thing and don't allow them to operate the bed without supervision.
- While this bed is cool, it's not safe for gymnastics. So when you operate this bedframe, please make sure body is positioned within the confines of the bed. Even if you like living on the edge, please do not place extremities over the sides of the bed when operating bedframe functions.
- Do not weigh down any one part of your bed; distribute body weight evenly at all times and always return the bed to a flat position before getting in and out.

Weight Restrictions

This product will structurally support weights up to **650lbs (295kgs)**.

This limit is inclusive of any mattress and bedding placed on it.

The bed will structurally support this weight, provided it is evenly distributed across the bedframe.

This product is not designed to support or lift this weight in the head or foot sections alone.

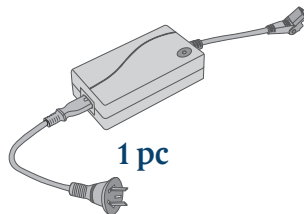
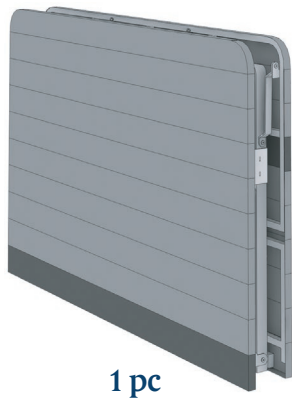
Exceeding the weight limit could damage the bed and/or cause injury and will void the warranty.

Product Rating

The motors are not designed to operate continuously for more than **one (1) minute** in an **eight (8) minute** time period.

Attempting to exceed this rating will shorten the life expectancy of the bedframe and will void the warranty.

Components

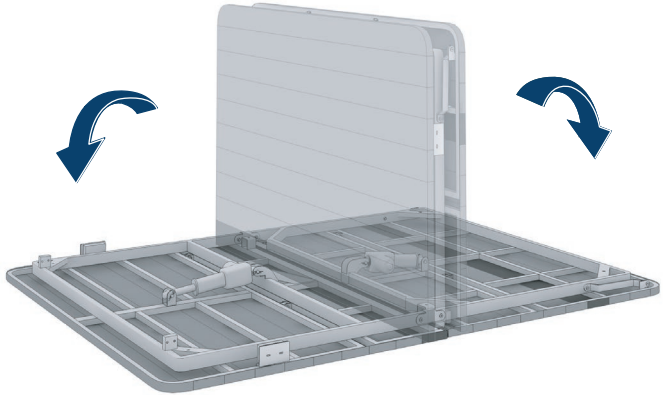


Assembly Instructions

Set up 1

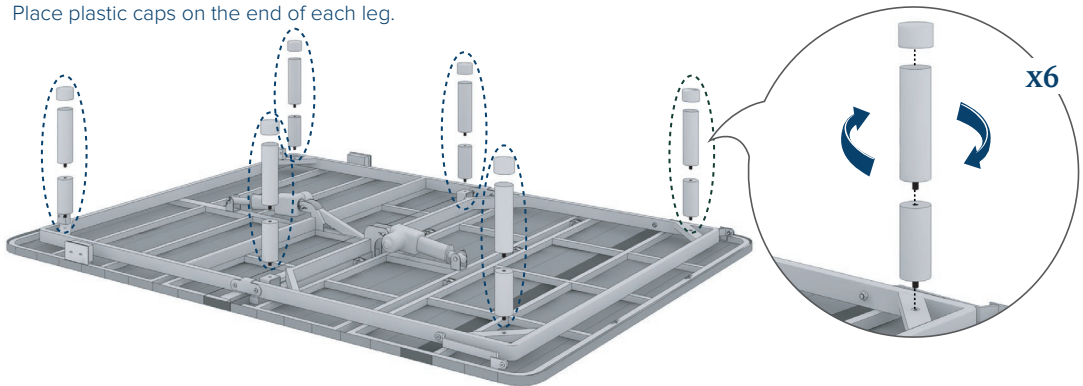
Team up! At least **two (2) people** are required to assemble this cool new adjustable bedframe.

Lay the box flat on your floor and carefully unfold the bedframe.



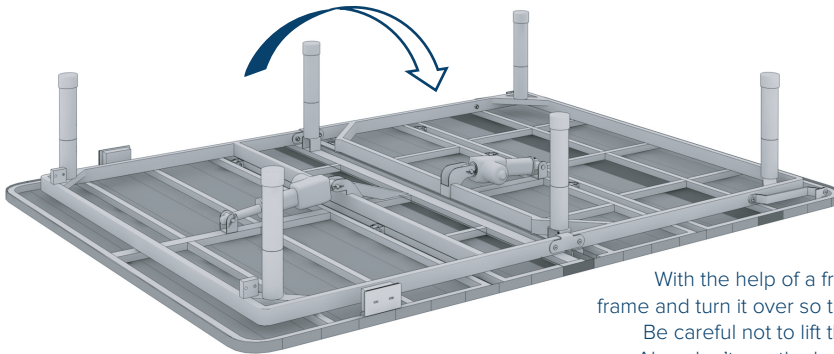
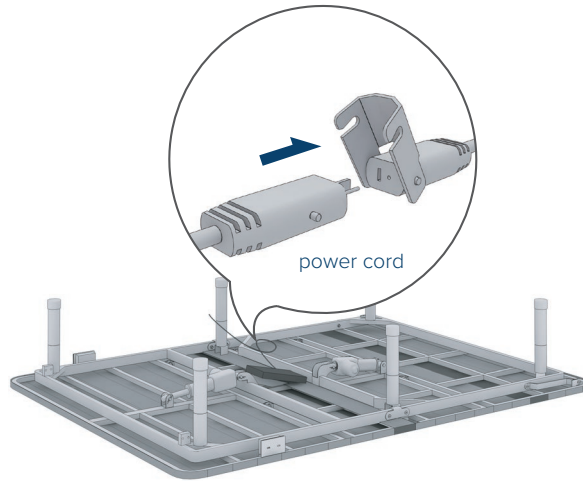
Set up 2

To install the six (6) legs, decide on desired height and use either the 4.5 inch or 7 inch legs alone, or combine them for a 11.5 inch leg height. Thread the bolt of the leg into the frame and turn by hand until tight. Place plastic caps on the end of each leg.



Set up 3

Locate the receptacle cord on the underside of the bedframe. Plug the power cord into it.

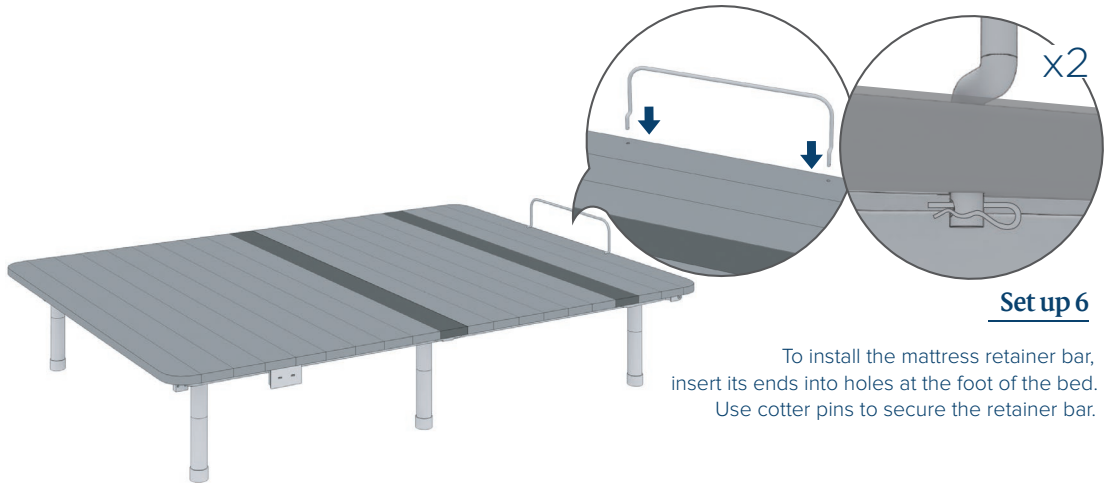
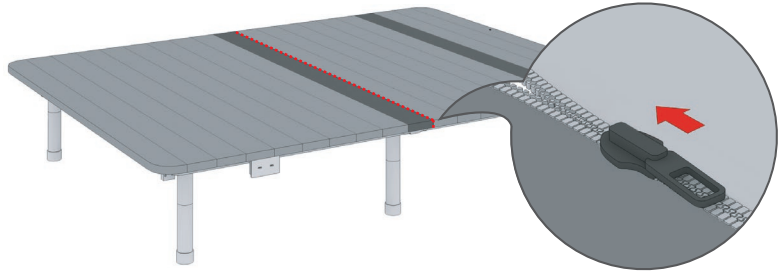


Set up 4

With the help of a friend, lift the bed by the outer frame and turn it over so the mattress side is facing up. Be careful not to lift the bed by any moving parts. Also, don't use the legs as pivot points to practice your latest dance routine. All of these can damage your bedframe.

Set up 5

Secure the zippers as shown.



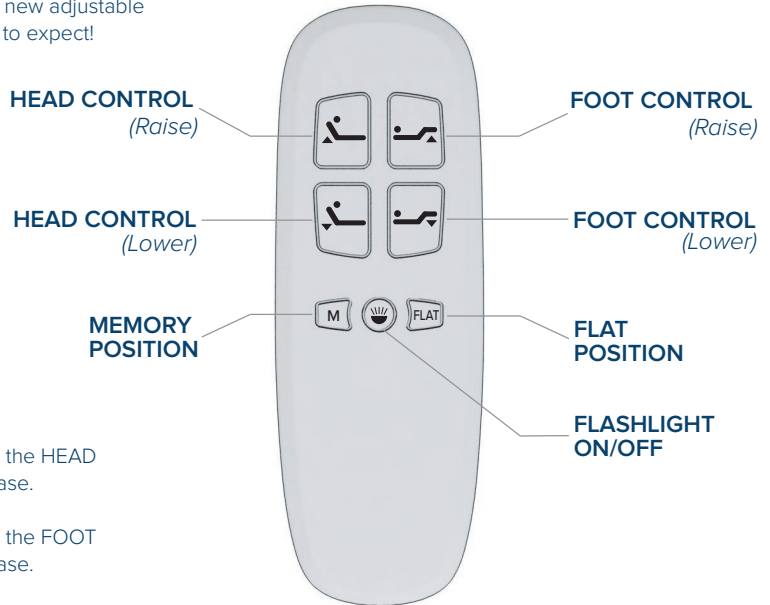
Set up 6

To install the mattress retainer bar, insert its ends into holes at the foot of the bed. Use cotter pins to secure the retainer bar.

Remote Control

Overview

So, you're done with assembly and ready to explore everything you can do with your cool new adjustable bedframe. Here's a snapshot of what to expect!



Adjustable



Raise and lower the HEAD section of the base.



Raise and lower the FOOT section of the base.



Press and hold for 3 seconds.



Press and hold.

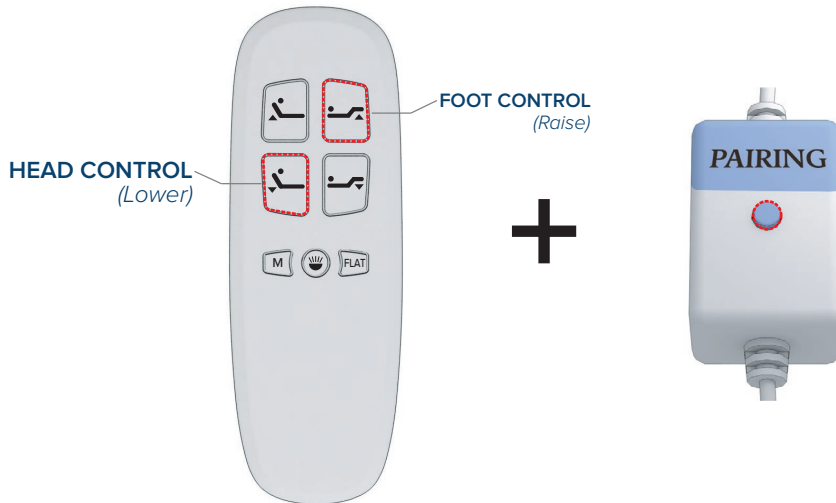


Will return the bed to a flat position.

Remote Control Pairing Instructions

Your snazzy new adjustable bed frame comes ready to go with a pre-programmed wireless remote. Although your remote should work automatically once out of the box, occasionally this twosome can become disconnected while on their long journey to your doorstep. If this happens, don't panic! Follow these simple instructions to pair this dynamic duo back together:

1. On the remote, press and hold the FOOT CONTROL (Raise) and HEAD CONTROL (Lower) buttons while simultaneously pressing the pairing button on the power cord. Hold all buttons down for 3 seconds.
2. Once you hear a faint whistling noise, pairing is complete.



OMF GUARANTEE

Our goods come with guarantees that cannot be excluded under the Australian Consumer Law. You are entitled to a replacement or refund for a major failure and compensation for any other reasonably foreseeable loss or damage. You are also entitled to have the goods repaired or replaced if the goods fail to be of acceptable quality and the failure does not amount to a major failure.

Changed your mind?

We understand that choosing the right product is not easy. Sometimes things will be too big, too small or simply aren't right. At OMF you can shop with confidence, you can simply return any purchase to the store you bought it from within 7 days of purchase and exchange it for another item. as long as:

- You have clear proof of purchase, such as a receipt.
- The product and its packaging are in original condition, including any manuals and accessories; and
- The product is not an excluded product (see list below)
- The delivery fee will not be refunded for change of mind returns. If you request us to collect the goods from your premises, we will also charge a pickup fee, We will confirm the amount of this pickup fee before your pickup is confirmed.

You will be provided with tools to package items in accordance with health guidelines, to allow for the pickup to take place.

We do not offer "change of mind refund" on the following products:

- Pillows
- Mattresses Protectors

- Quilts
- All other manchester items

Faulty or damaged products?

We ask that you check any product delivered to you to determine if it is damaged. If a product is damaged at the time of delivery, then you should refuse to accept delivery of that product and notify the Customer Service team. If you notice damage to a product after delivery, you should notify us within 7 days of delivery. If you wish to obtain a refund rather than a replacement, we will only refund the delivery fee if the products are determined (after assessment) to be faulty and the fault did not arise through any misuse, abnormal use or negligent use of the products by you.

Comfort Exchange

Your mattress is covered by OMF's 200-night comfort guarantee. If for any reason you are not completely happy with your new mattress, simply contact our store for further instructions. OMF will then exchange your mattress for another comfort level or model in our range subject to the terms and conditions listed below.

- **MINIMUM GUARANTEE PERIOD-** fourteen (14) nights from time of pick up or delivery.
- **YOU MUST purchase a waterproof mattress protector in the same transaction as the mattress purchase, or the Comfort Exchange will be null and void.**
- **The mattress WILL NOT BE ACCEPTED for the 200 Night Comfort Guarantee if it is damaged or soiled (except for fair wear and tear).**
- No Comfort Guarantee on floor / display models, special

OMF GUARANTEE

sizes, Trundle Beds or Motion Bed Frames

- No refund or store credit given should a mattress of lesser value be selected.
- Customer is to pay the difference if a higher priced mattress is selected.
- Comfort Exchange is applicable for a single instance -
- Additional delivery and collection fees will apply for changes.

With the current health emergency, purchases where a comfort exchange is requested and where we cannot perform the exchange, in consultation with the customer, we will add the number of days where the customer facing store is not able to carry out the 200 night comfort guarantee, so that you, our customer is not disadvantaged by delays night Comfort outside of both our control.