



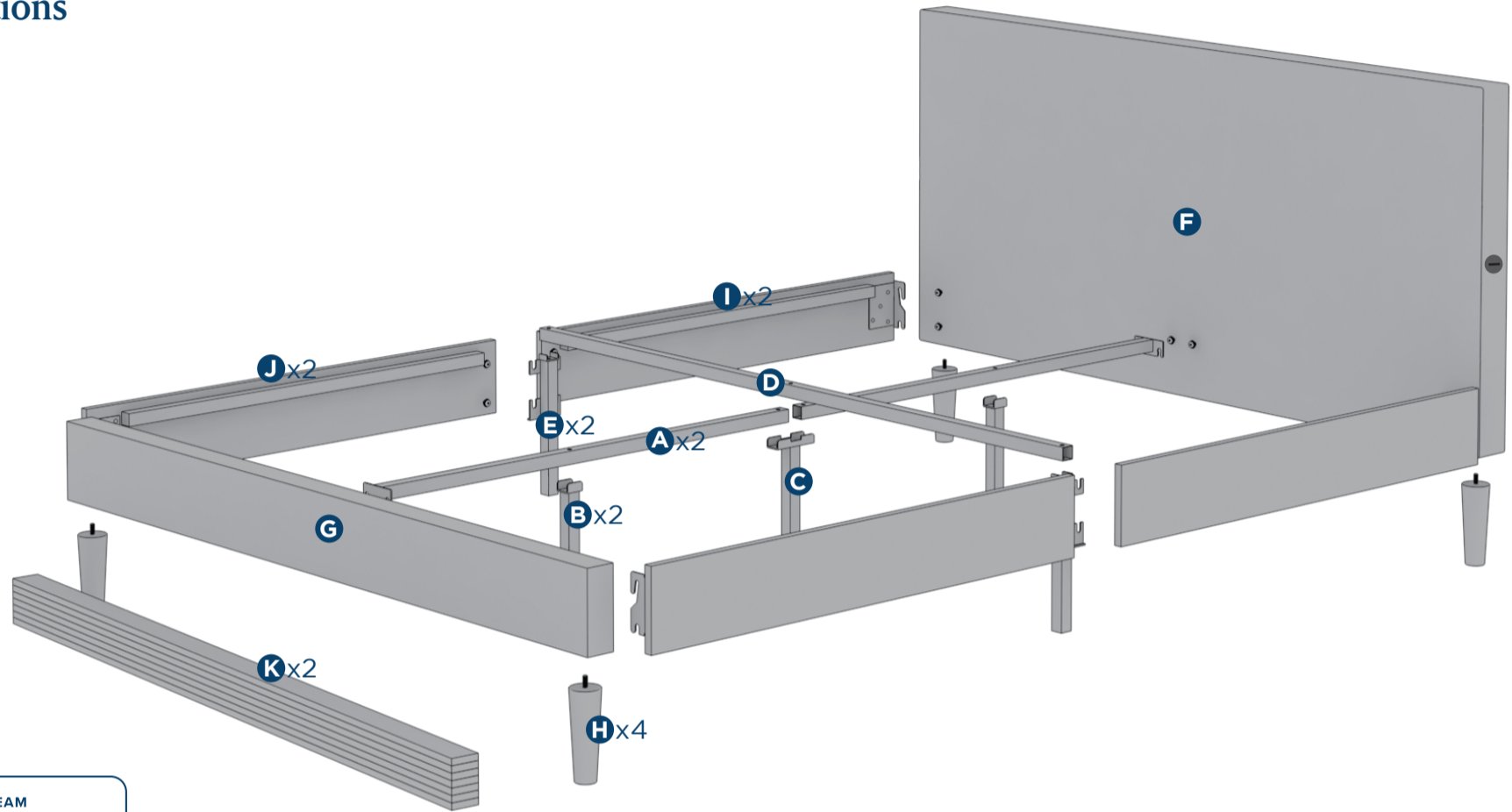
100% COMFY

EASY AS 1-2-3 ASSEMBLY INSTRUCTION

Numbers must Match for Secure Assembly

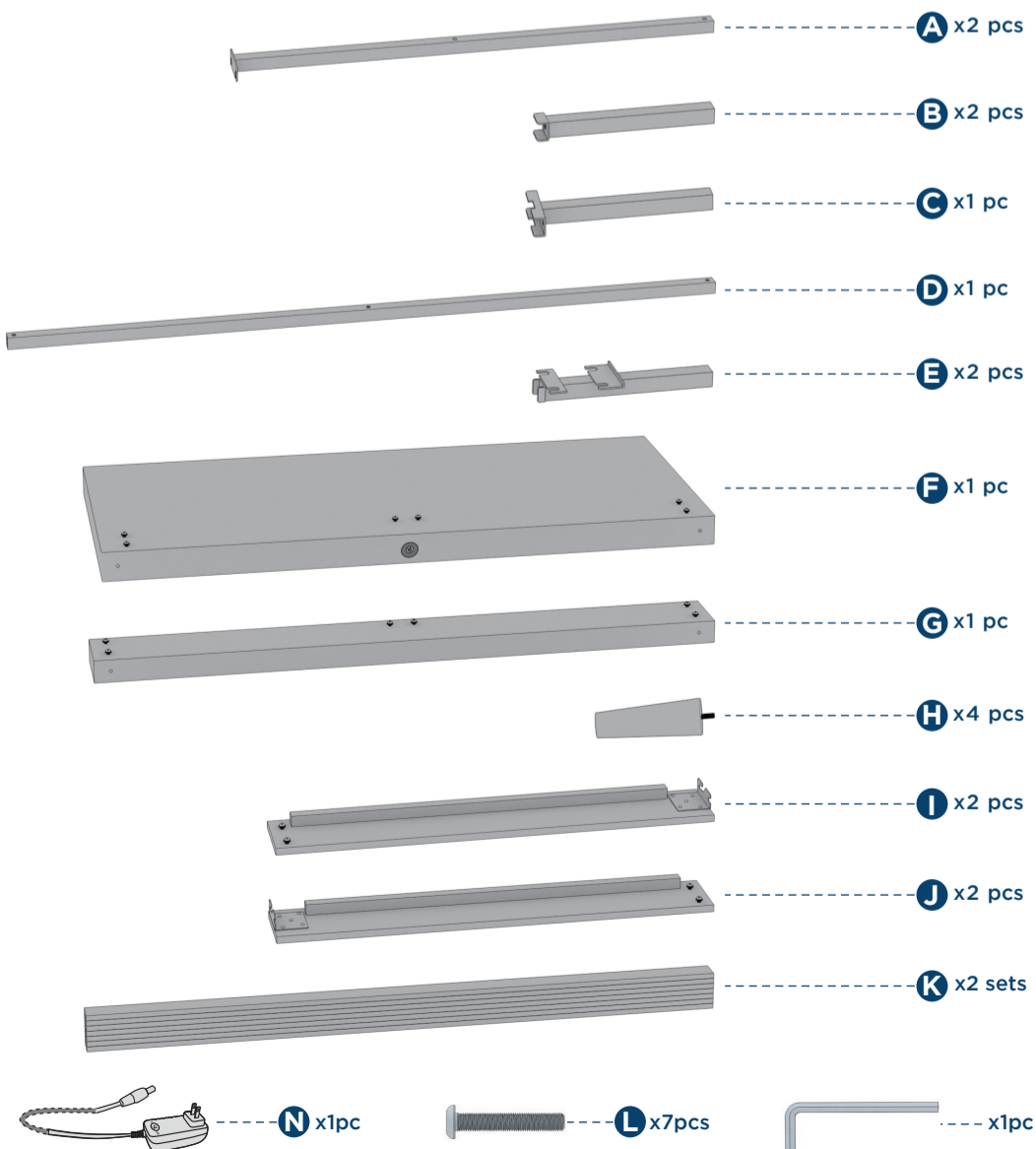
Essentials Bed With USB

Instructions



King Single, Double, Queen and King

Components

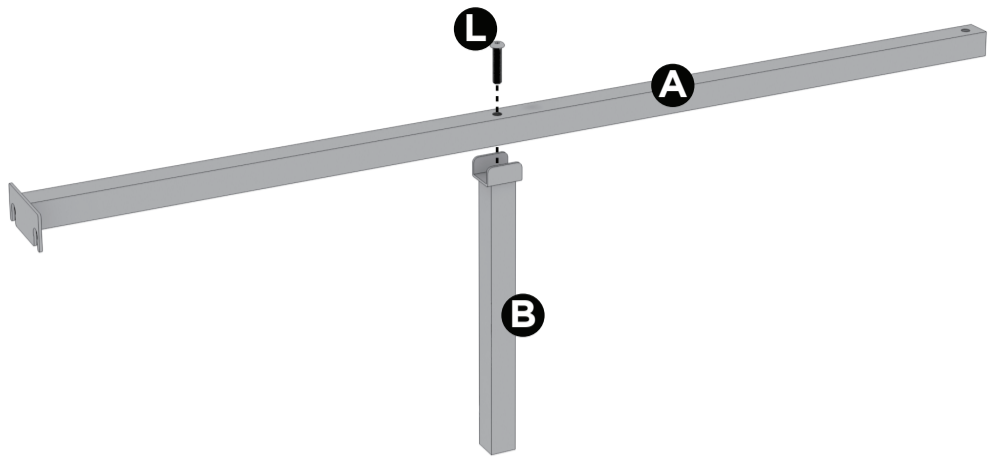


THIS PRODUCT REQUIRES ADULT ASSEMBLY

If any part is missing or if you have any questions regarding the product, please call our customer service team or send us an email and have this assembly manual open to the components list ready to provide the model name and component number.

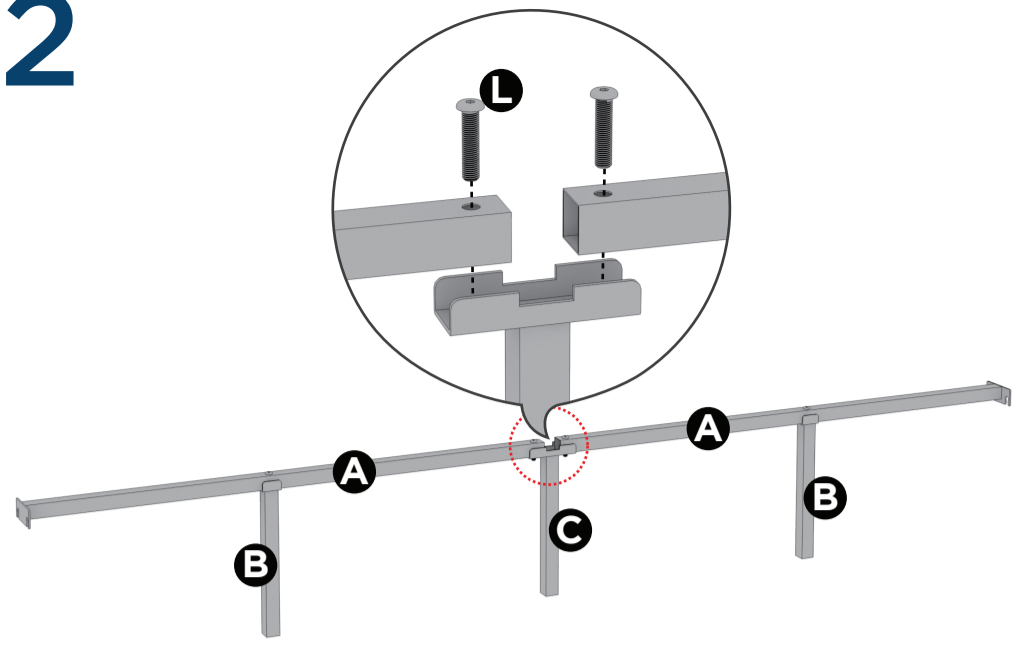
For more information
www.omf.net.au

1

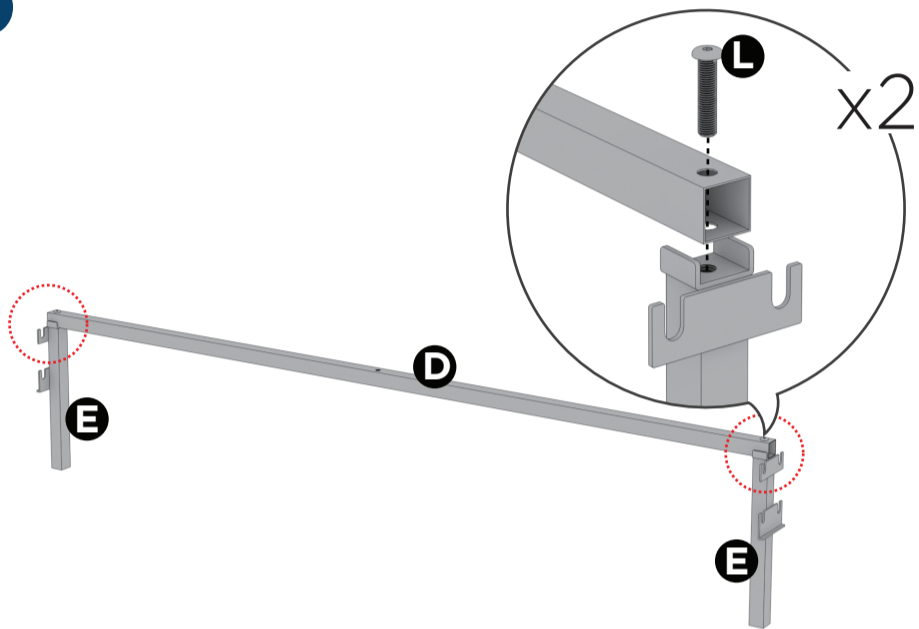


x2

2

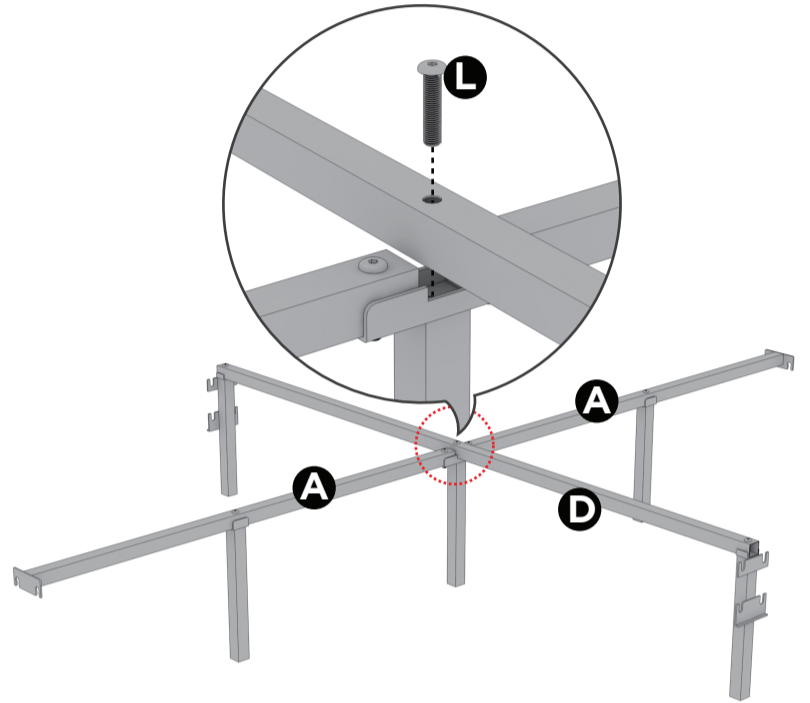


3

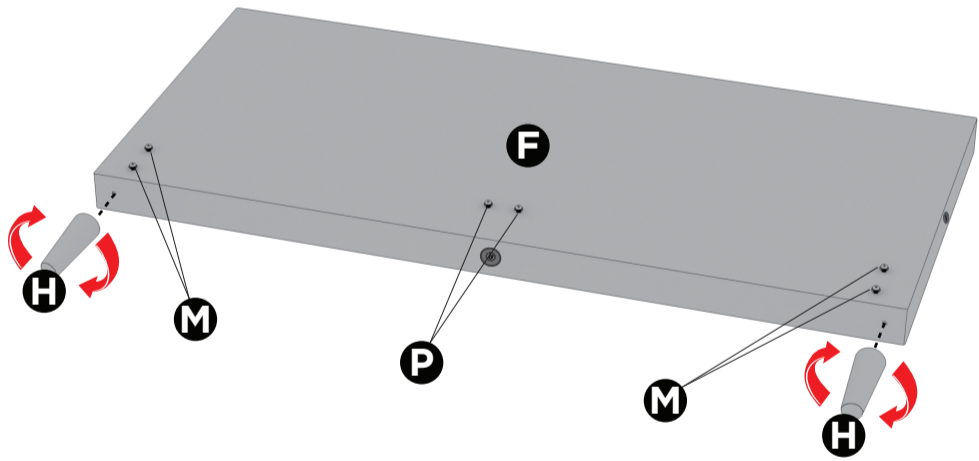


x2

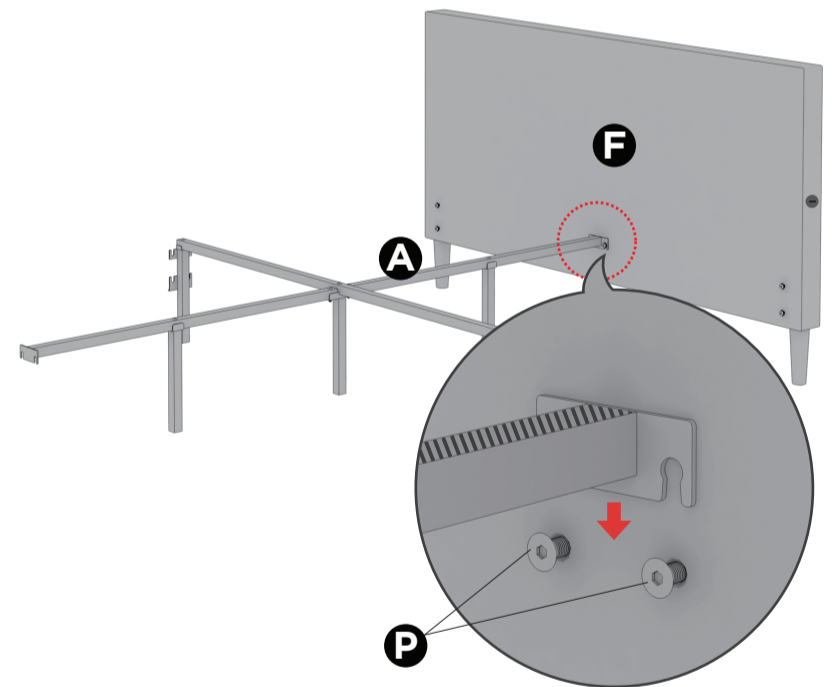
4



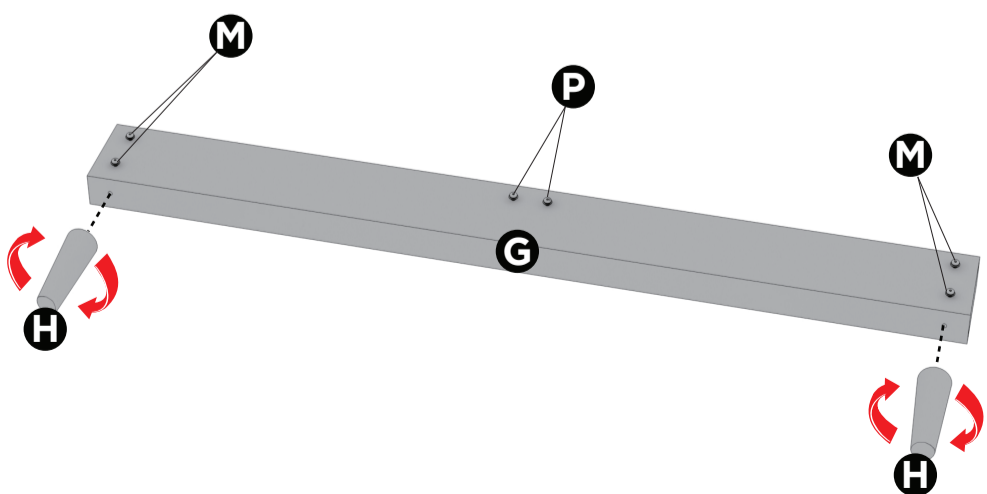
5



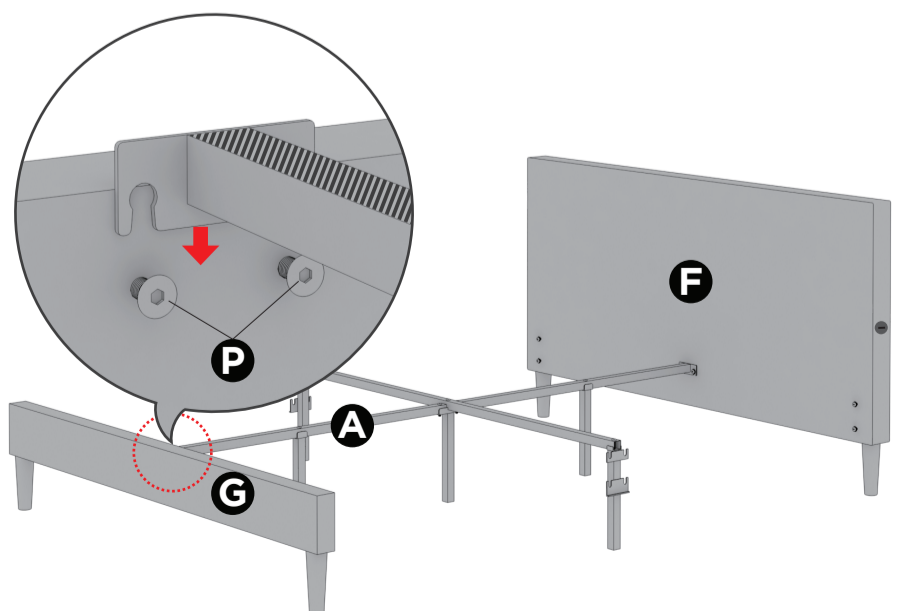
6



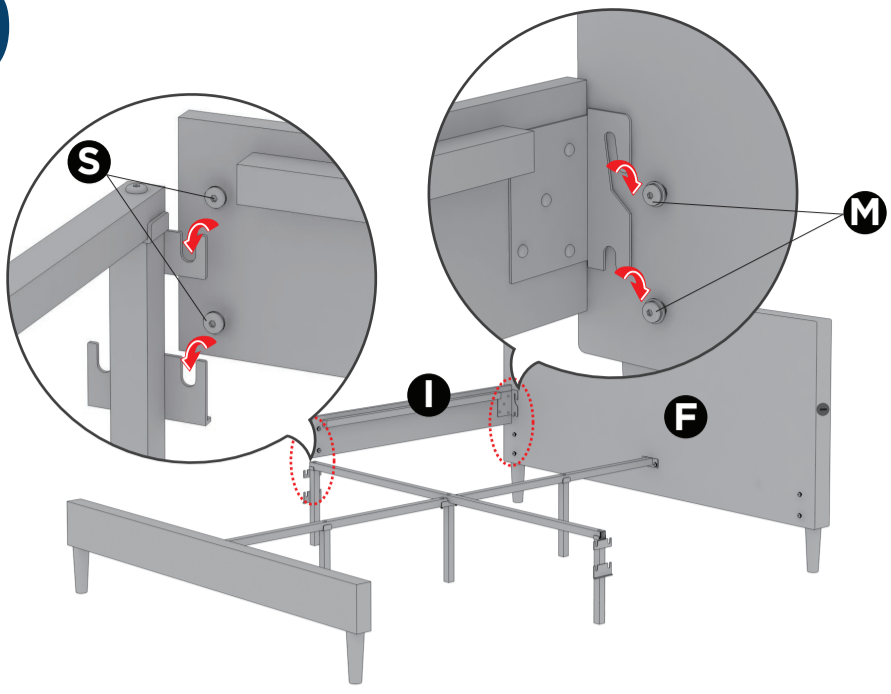
7



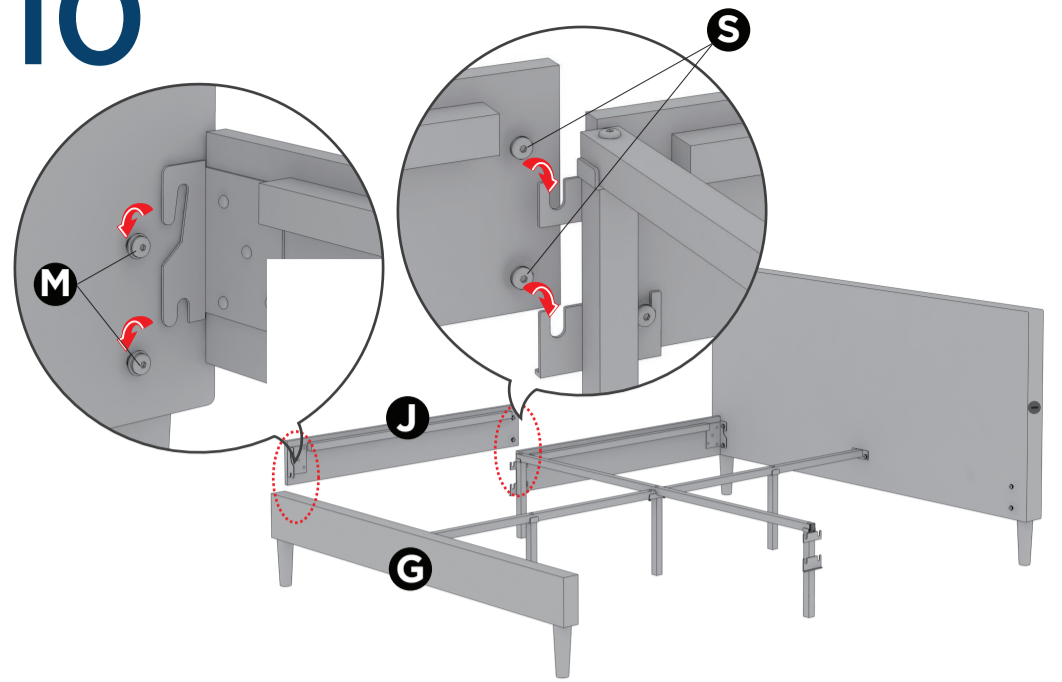
8



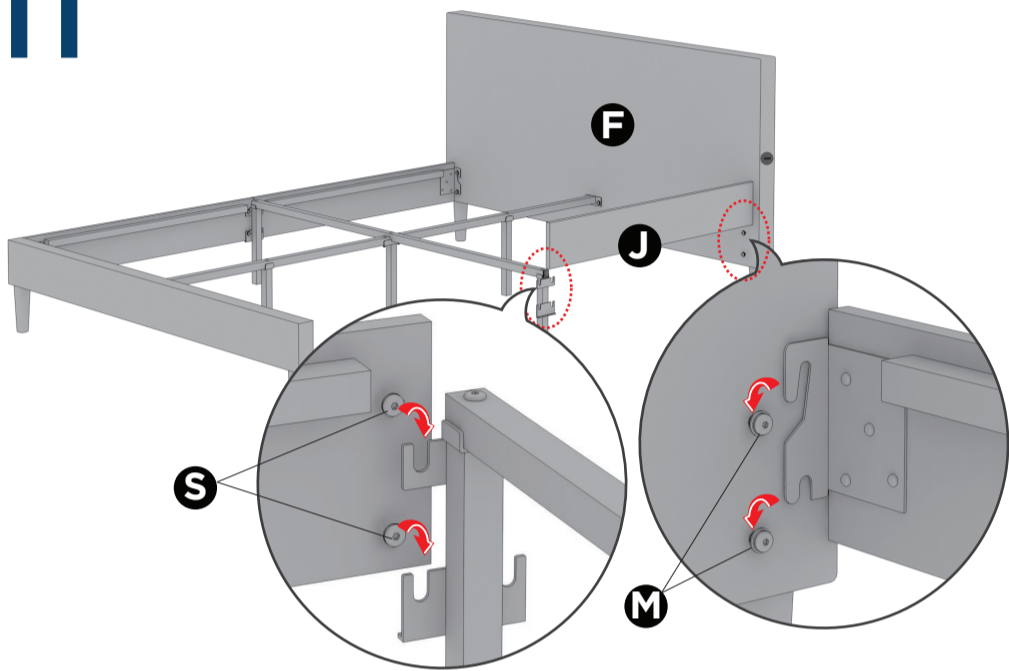
9



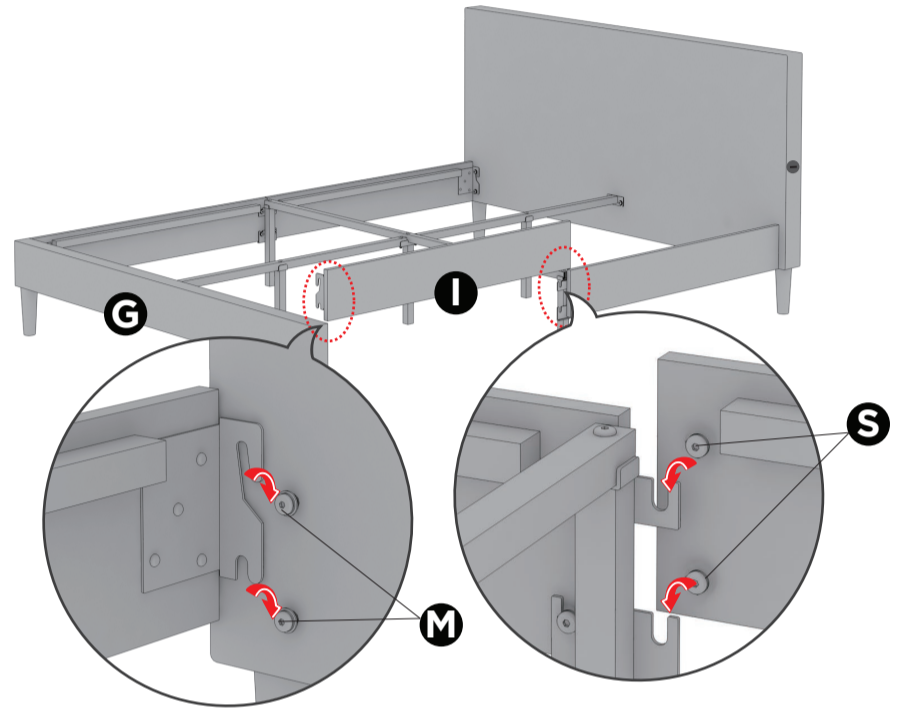
10



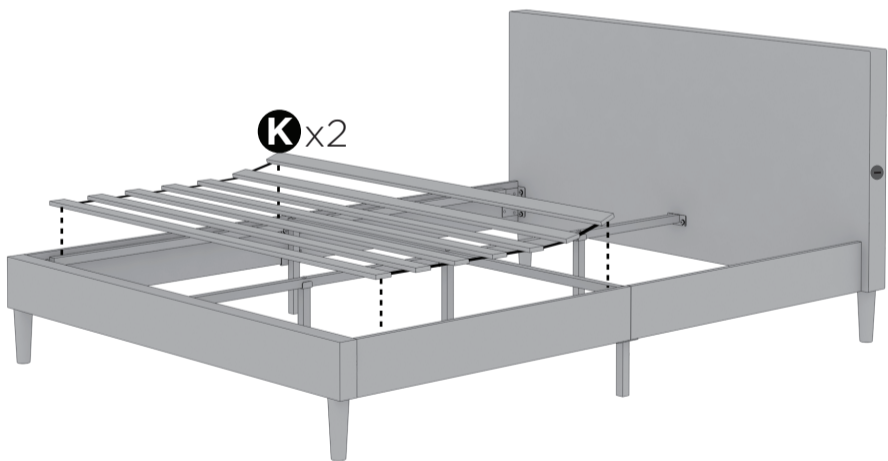
11



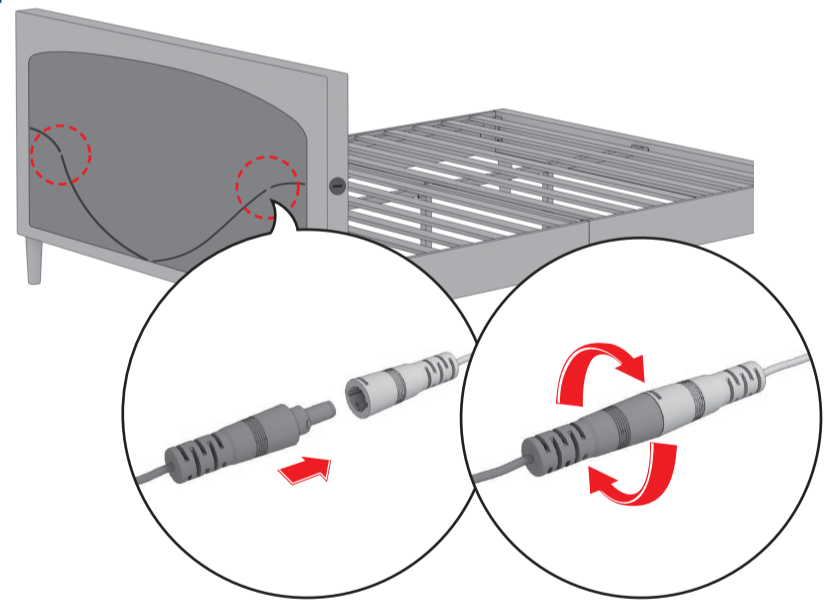
12



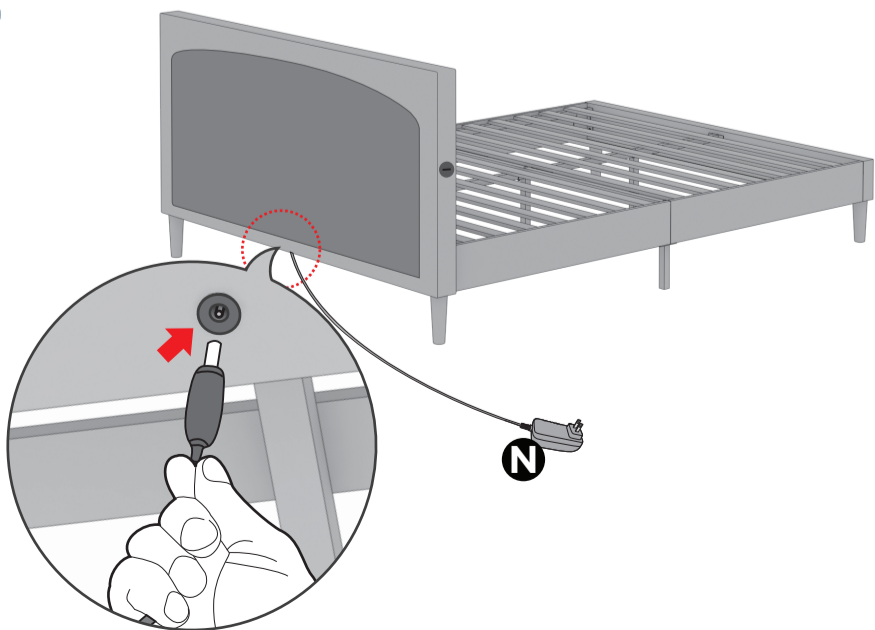
13



14



15



16





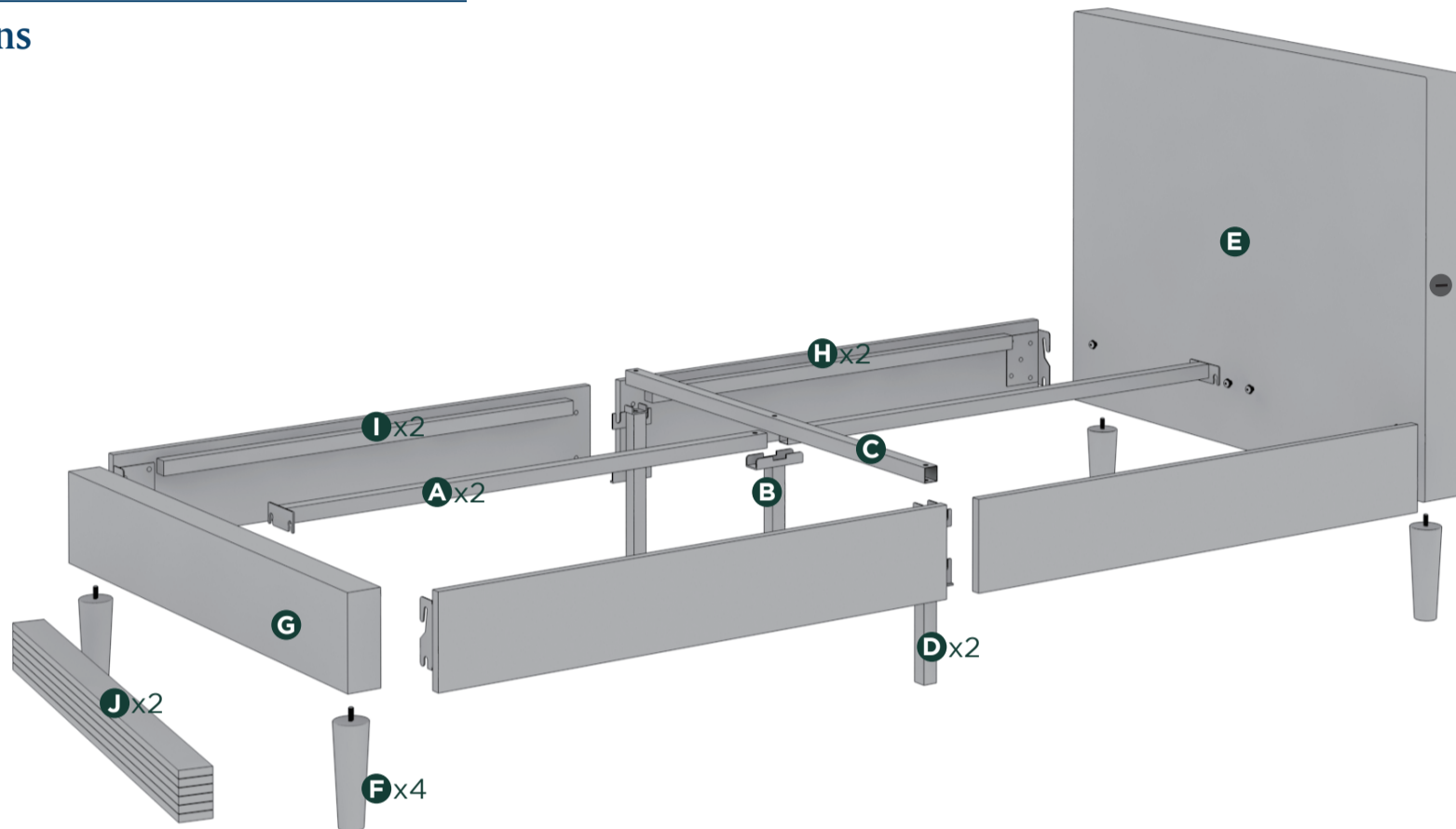
100% COMFY

EASY AS 1-2-3 ASSEMBLY INSTRUCTION

Numbers must Match for Secure Assembly

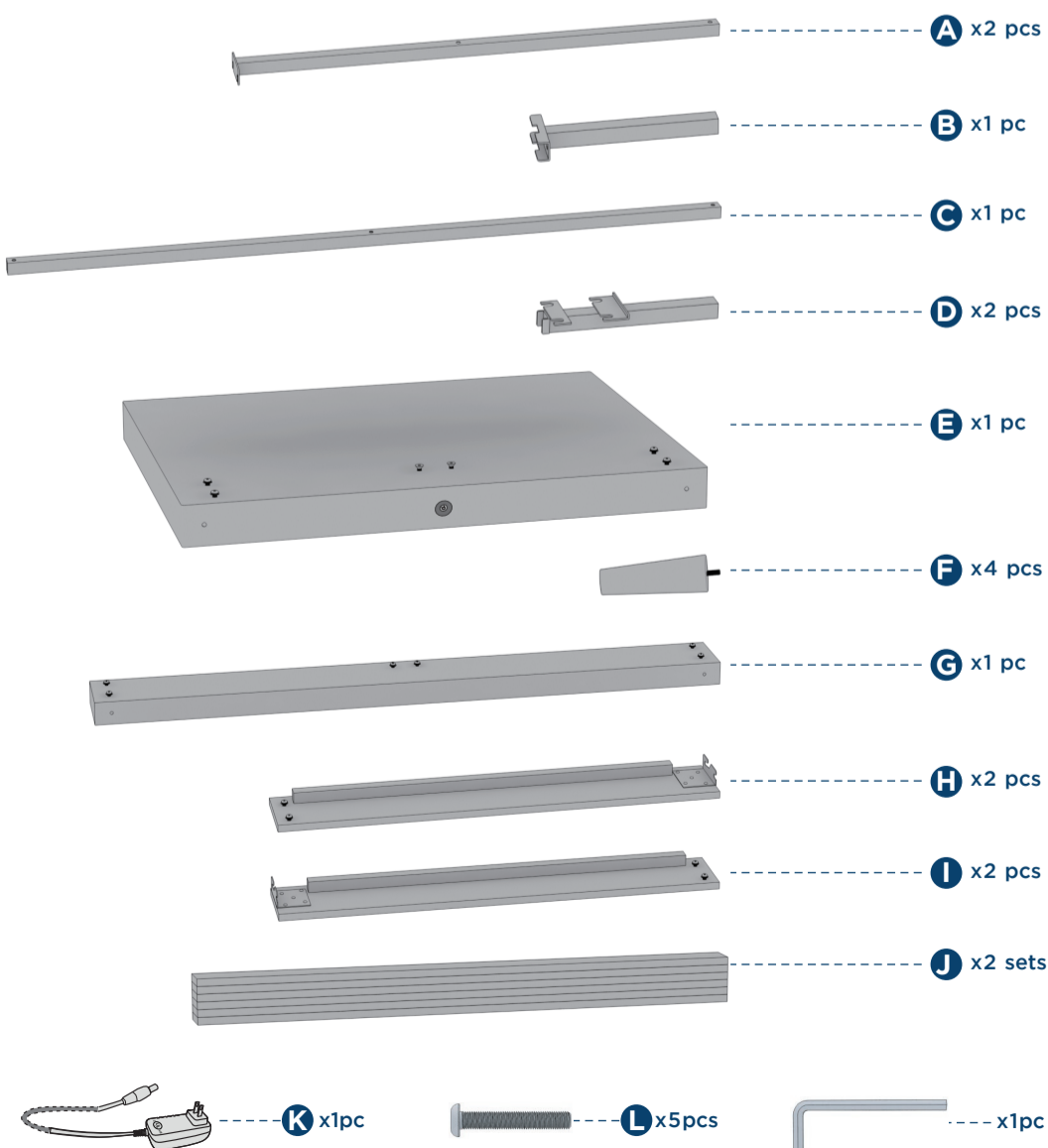
Essentials Bed With USB

Instructions



Single

Components

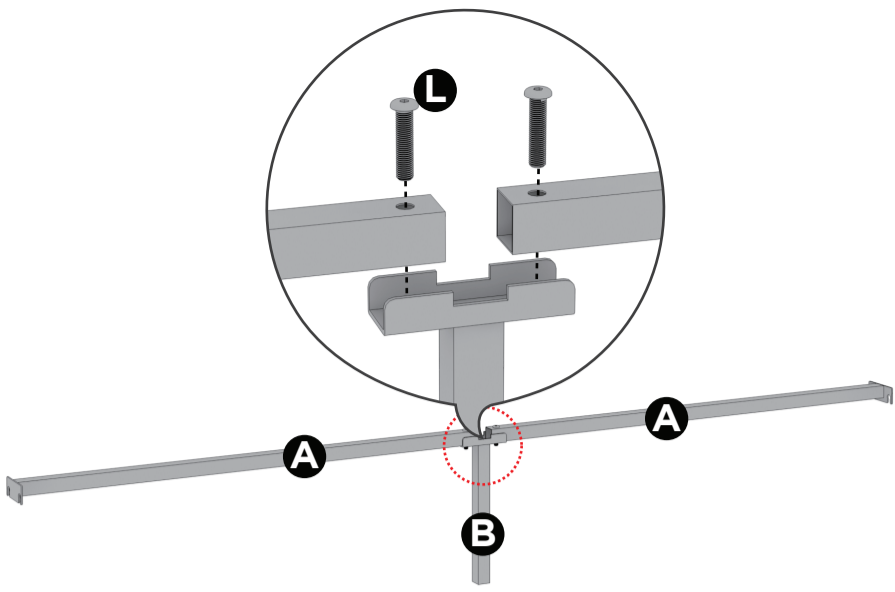


THIS PRODUCT REQUIRES ADULT ASSEMBLY

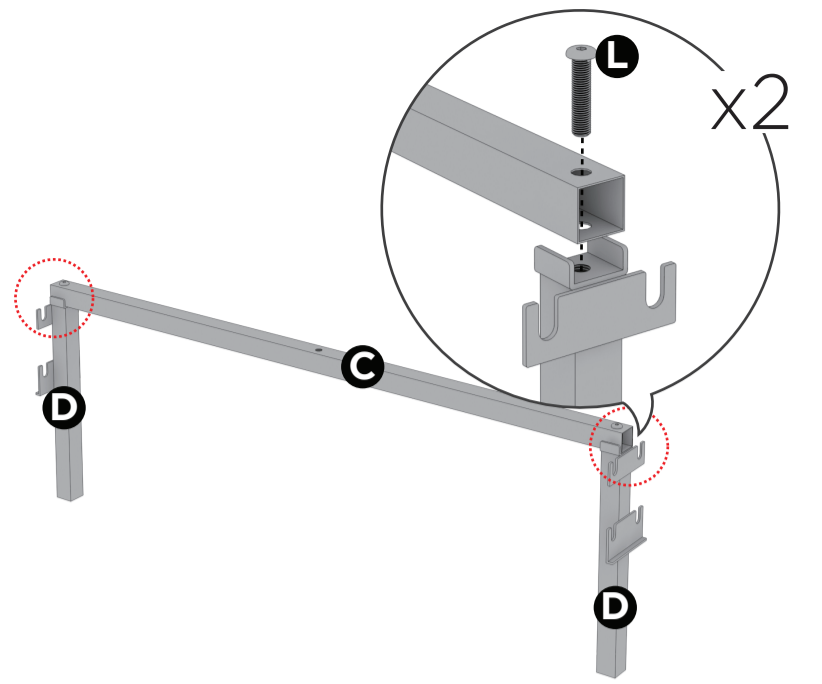
If any part is missing or if you have any questions regarding the product, please call our customer service team or send us an email and have this assembly manual open to the components list ready to provide the model name and component number.

For more information
www.omf.net.au

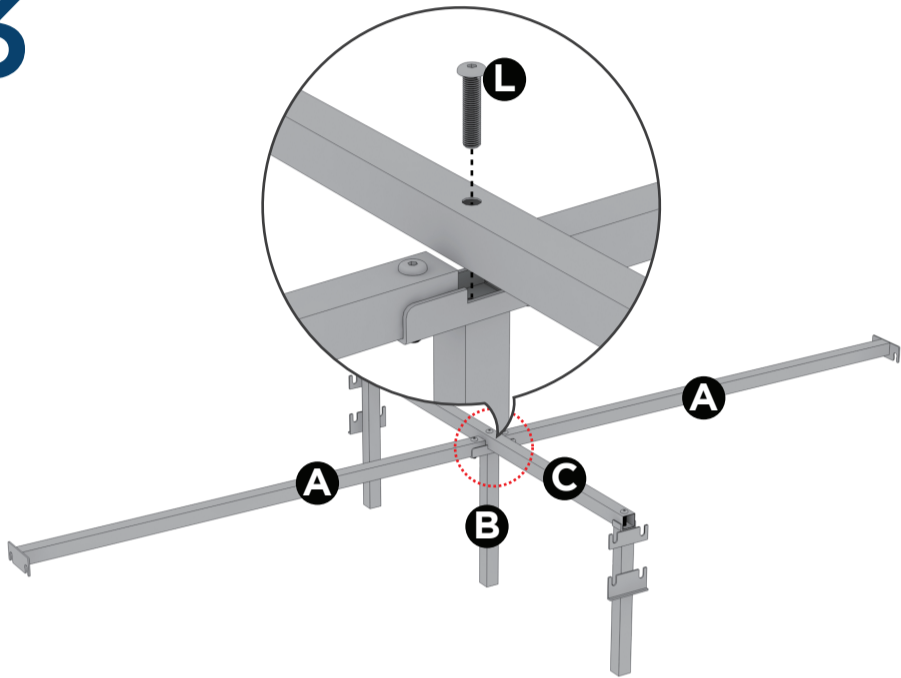
1



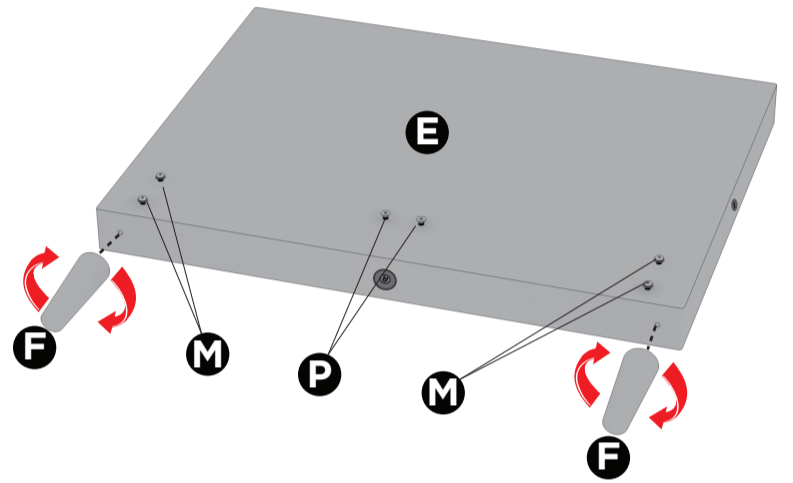
2



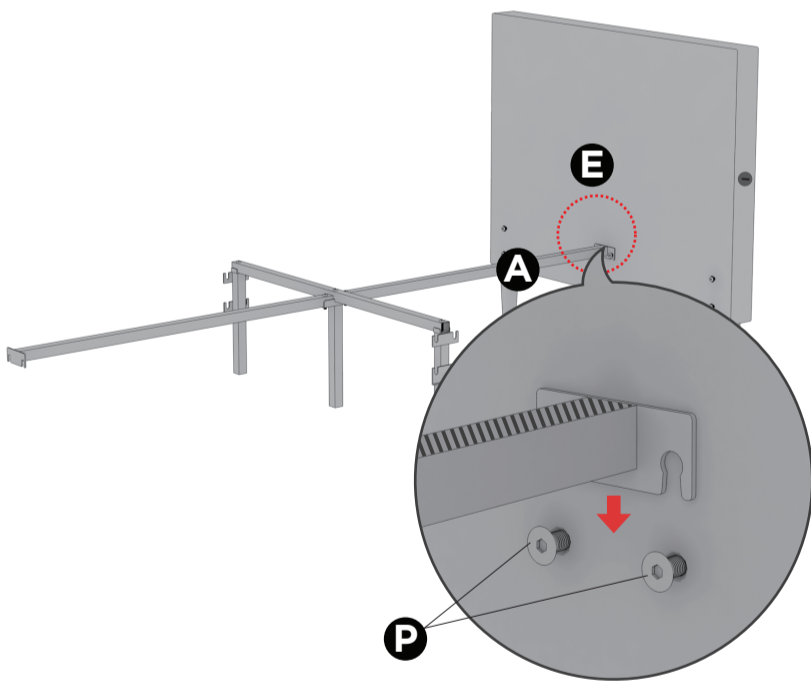
3



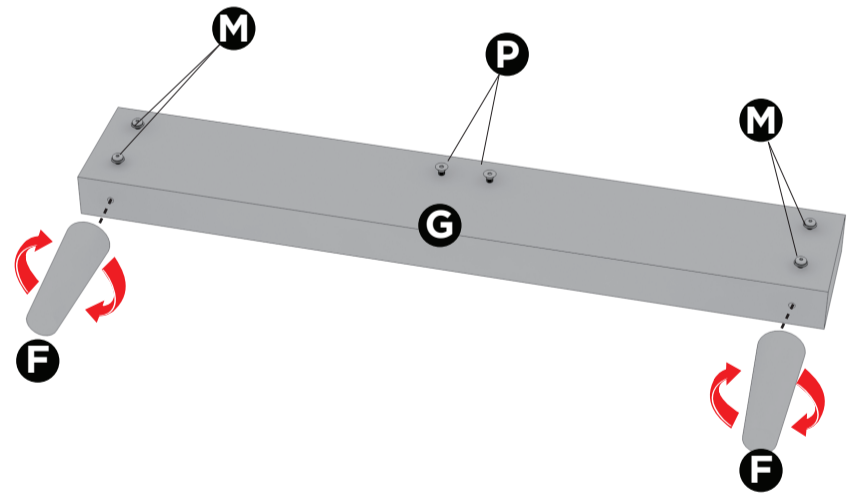
4



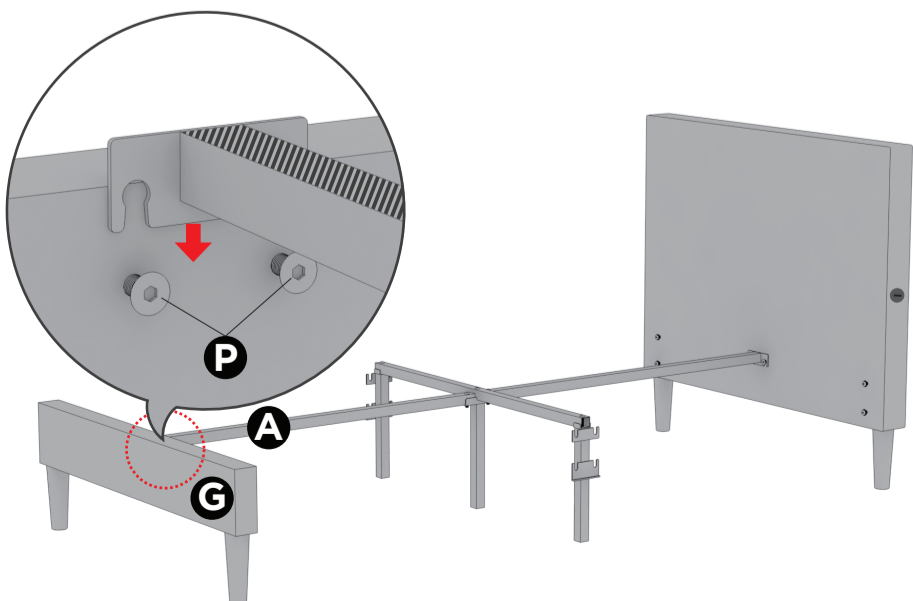
5



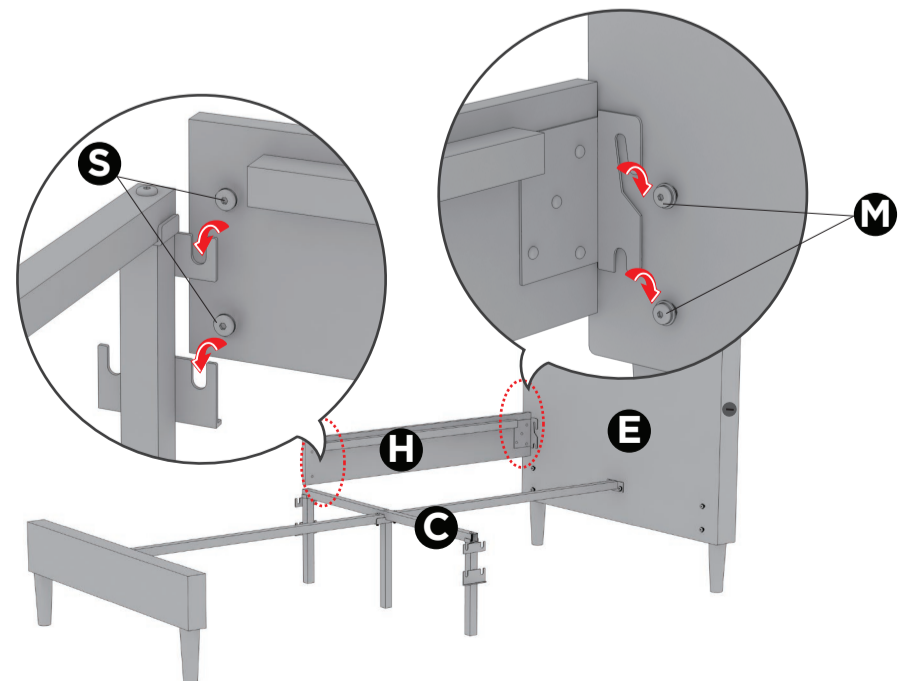
6



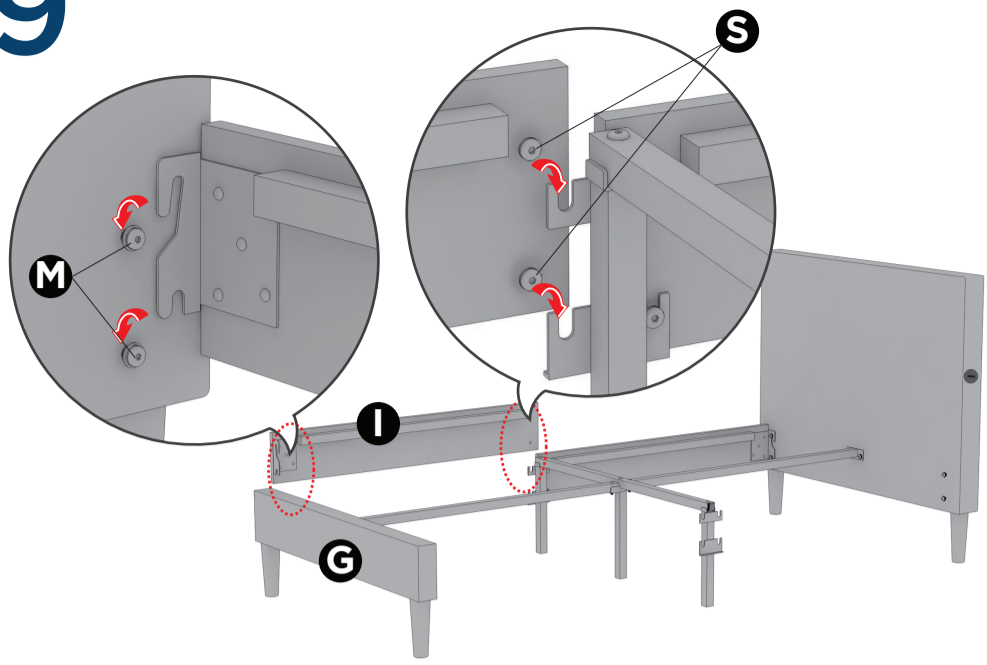
7



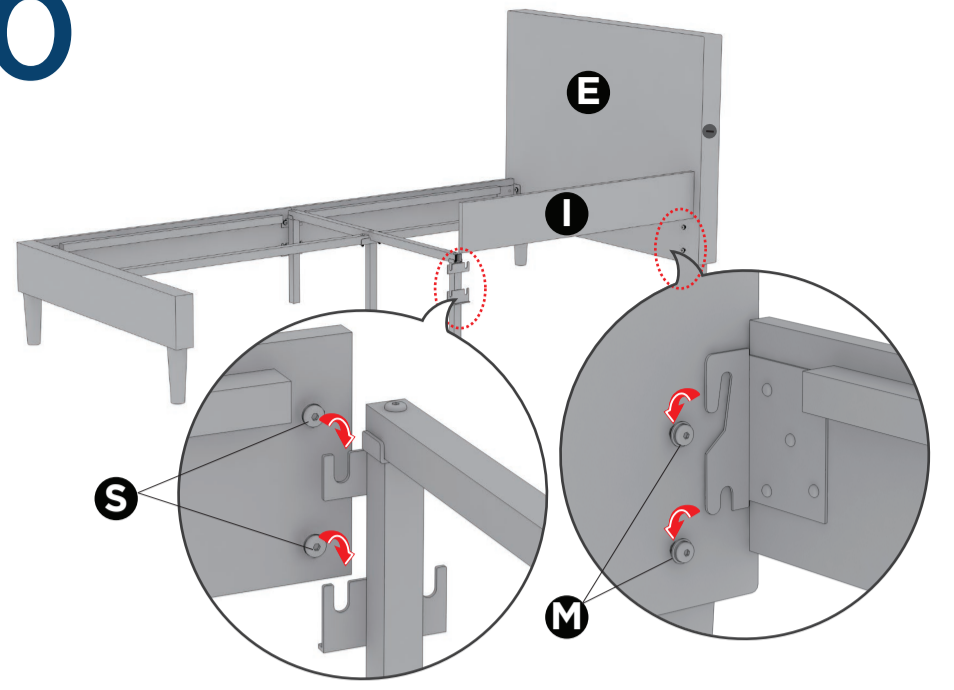
8



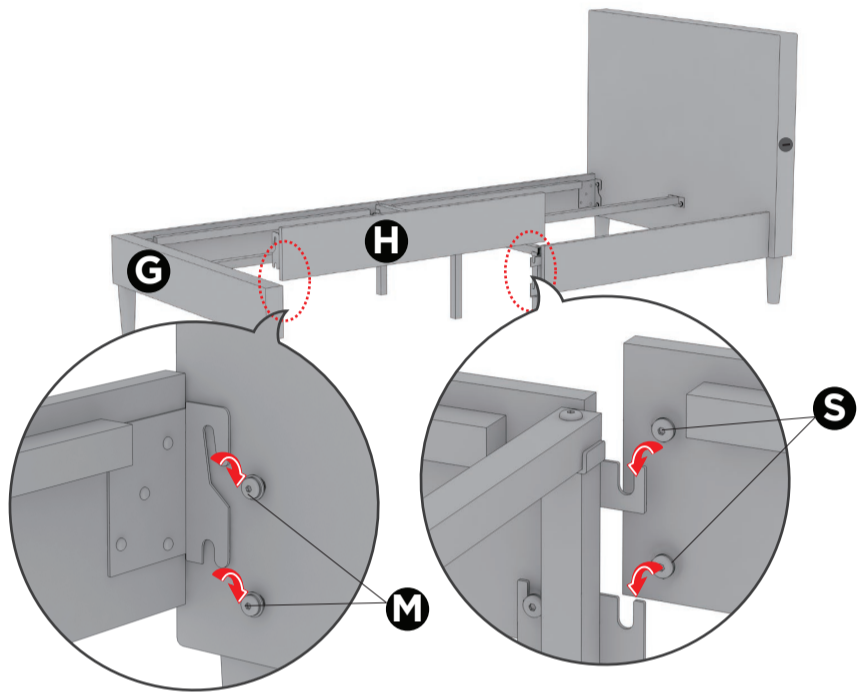
9



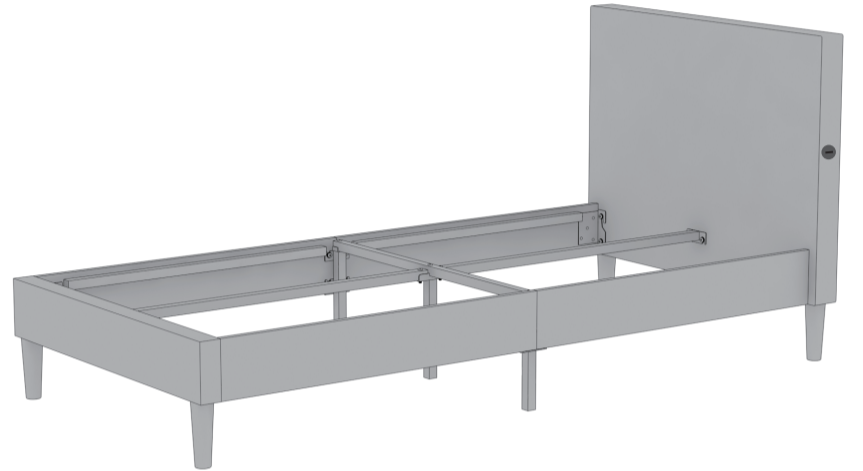
10



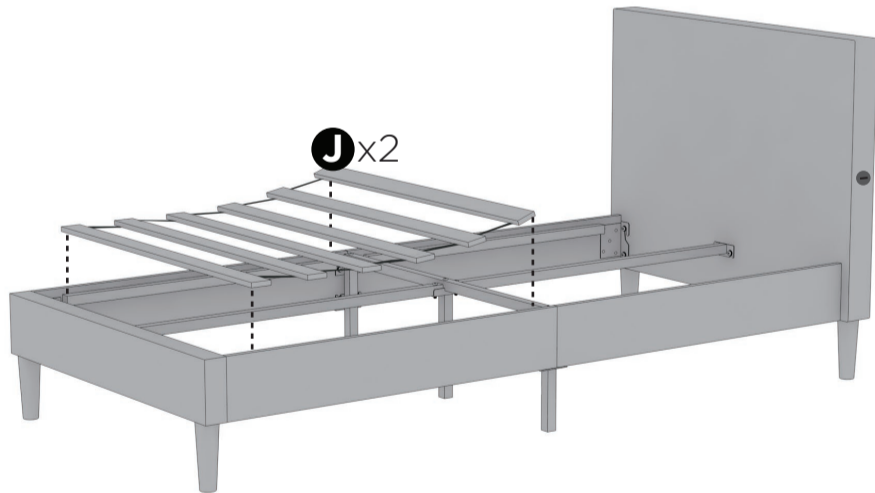
11



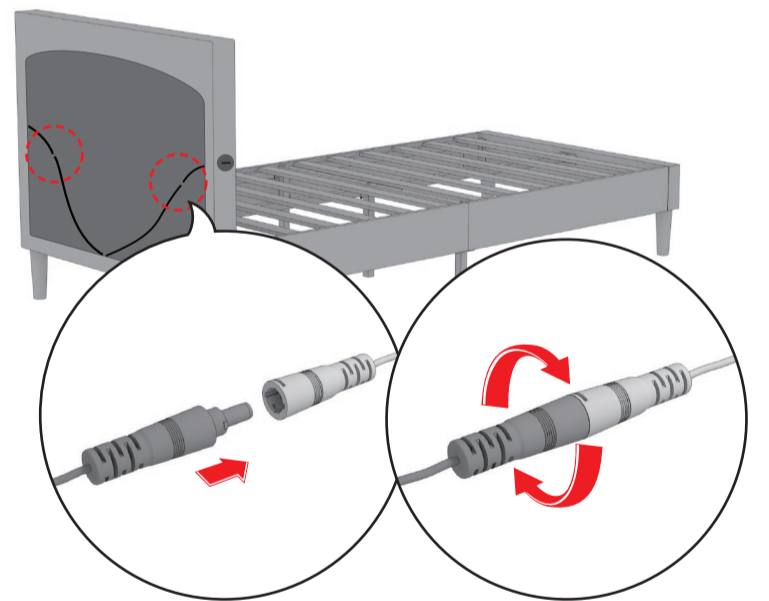
12



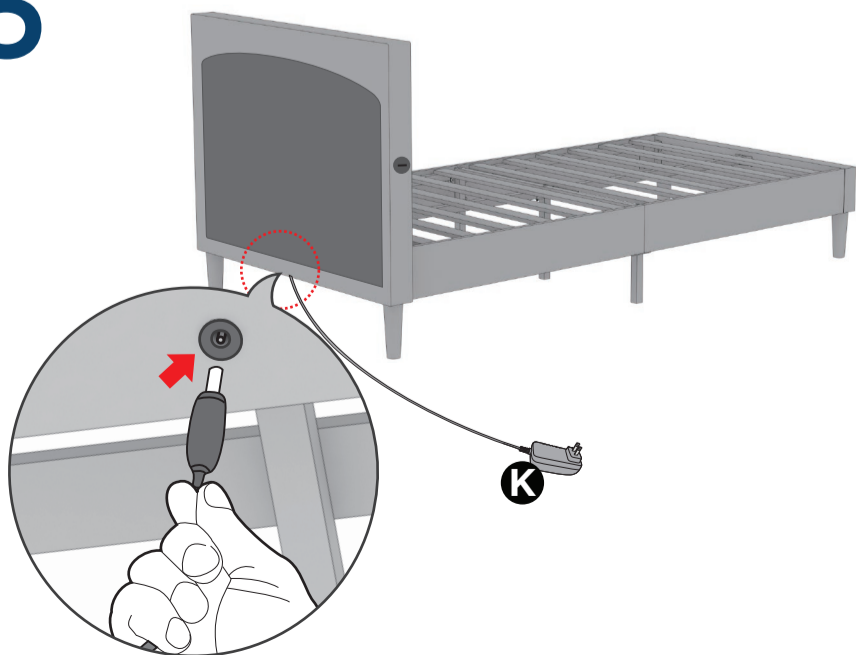
13



14



15



16

