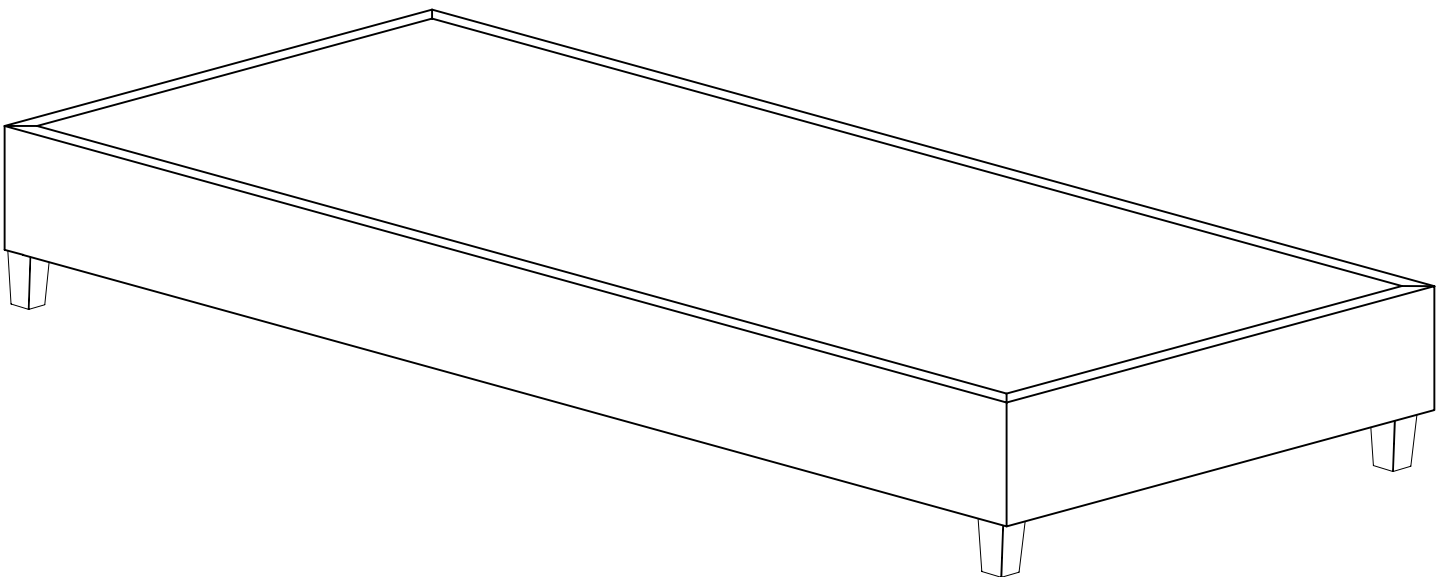
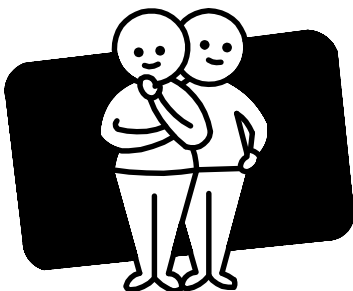


OMF

Version 1.0



TWO PEOPLE



REQUIRED

Ezy Base

Single Bed Base

Enjoy
Your purchase From

OML

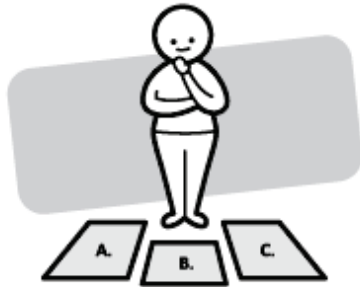
Assembly checklist



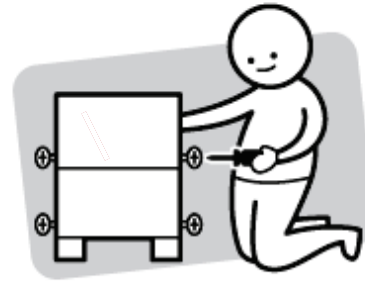
Read through the instructions carefully before you begin.



Make sure you have all the required tools. Never use power tools unless instructed.



Identify and lay out all of the components before you begin assembly.



Unless instructed, do not fully tighten screws until the item is fully assembled.

Useful Information

- ! Never use power tools unless specifically instructed. They can damage your components or hardware if used incorrectly.
- ! The most common mistakes made during assembly are using the wrong hardware or getting components back to front.
- ! Always use a soft surface (such as carpet or cardboard) when assembling your product to avoid scratching or damaging the surface of the product.
- ! Bulky items such as wardrobes and bunk beds should be assembled in the room they will be used in as they may not fit through a door once assembled.
- ! Never use any glue until you are certain that the parts belong together.
- ! Periodically check and re-tighten all fasteners. Check the product care label or website for product care instructions.
- ! If you are having any difficulties assembling your product, missing any hardware or components please visit our website Help Centre for further assistance.

What you need

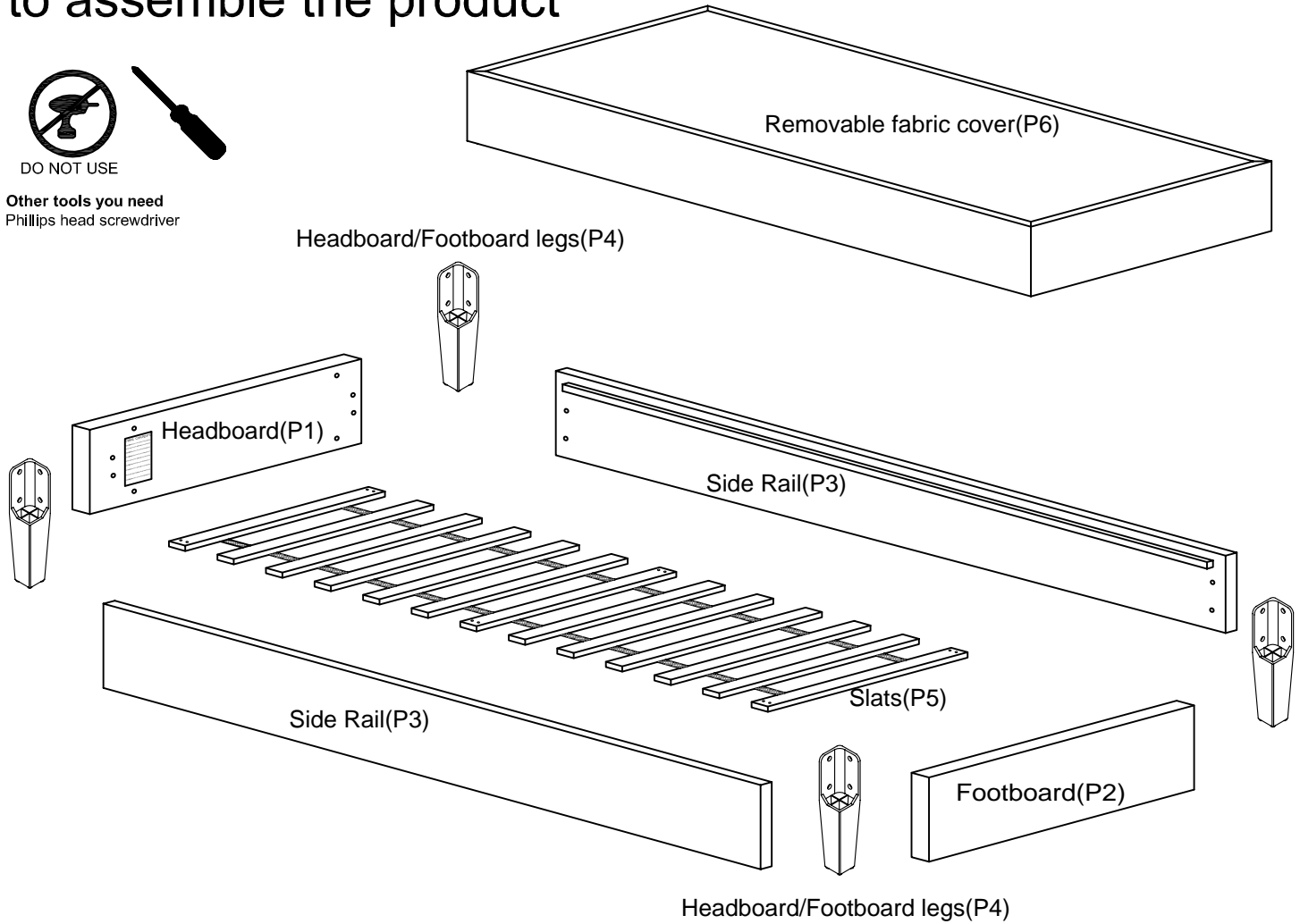
to assemble the product



DO NOT USE







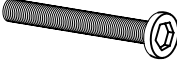


Other tools you need
Phillips head screwdriver



Parts list





Box 1 : Headboard(P1) ; Footboard(P2) ; 2 x Side Rails(P3) ; Headboard/Footboard Legs(P4) ;
Removable fabric cover(P6) ; Hardware Pack

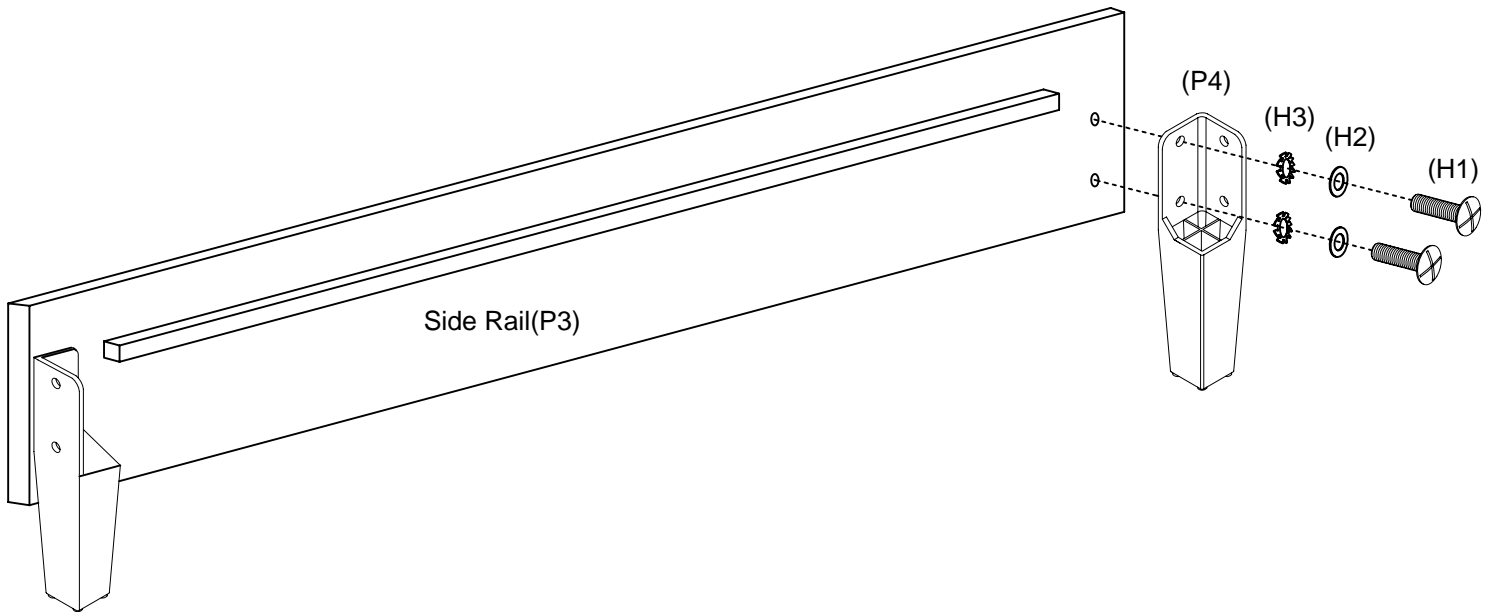
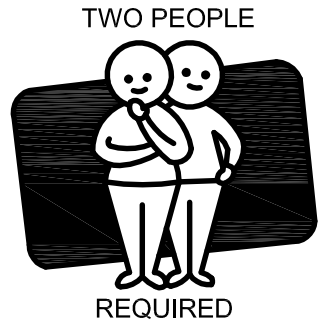
Box 2 : Slats(P6)

			
(Bolts)	(Small Washers)	(Asterisk Washers)	(Large Screws)
16 x M8 x 20mm	16 x M8 x 19mm	16 x M8 x 14mm	12 x M4 x 38mm
(H1)	(H2)	(H3)	(H4)
Optional fittings for assembling bedhead to bedbase:			
			
(Bolts)	(Large Washers)	(Allen Key)	
4 x M8 x 110mm	4 x M10.5 x 28mm	1 x M5	
(H7)	(H8)	(H9)	

Please make sure you have all these parts before you start





Step 1

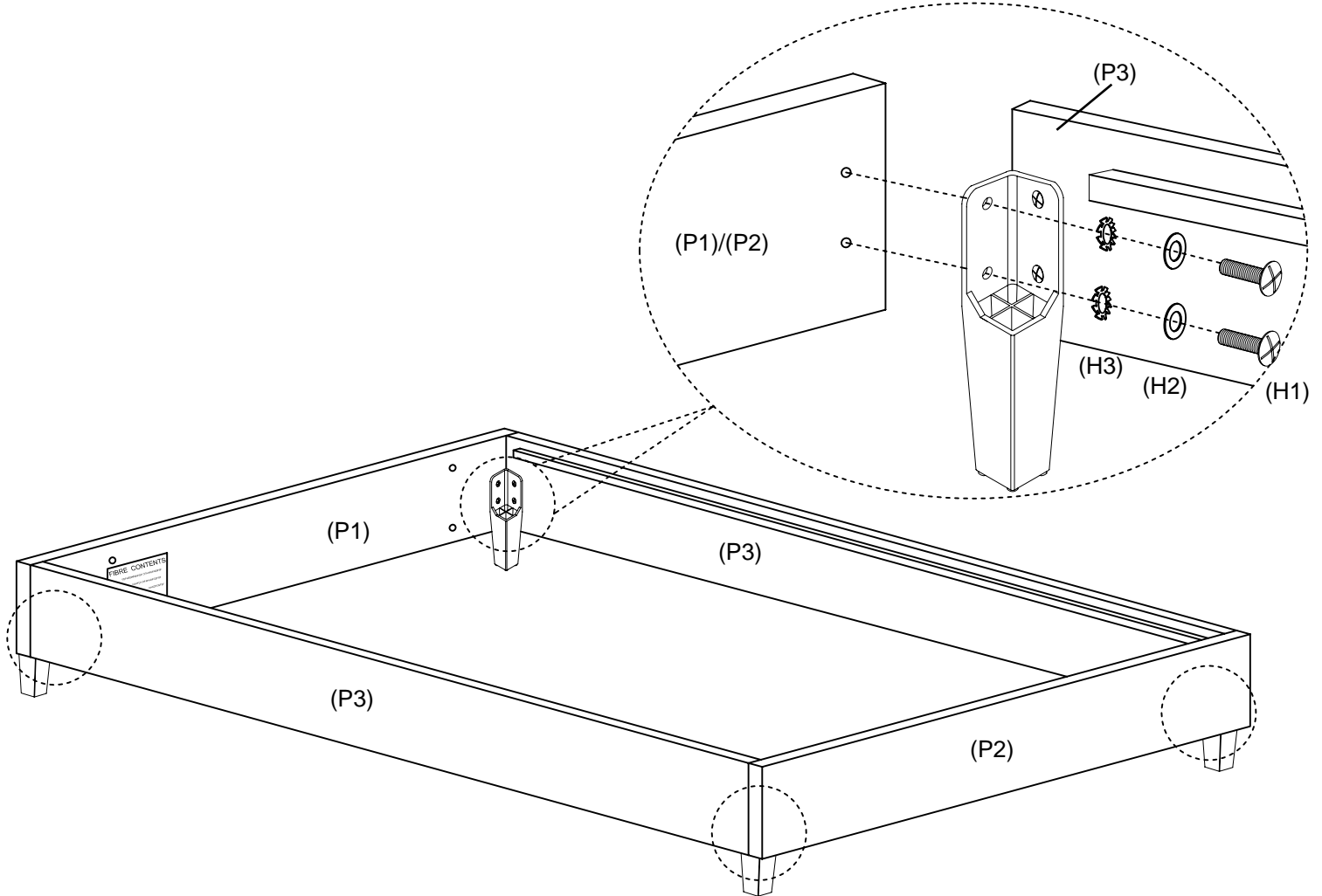
You will need			
			
8 x Bolts 20mm (H1)	8 x Small Washers (H2)	8 x Asterisk Washers (H3)	Phillips head screwdriver



Attach 2 x legs(P4) to the side rail(P3) with 8 x small washers(H2), 8 x bolts(H1) and 8 x asterisk washers(H3) by using phillips head screwdriver. Please do not tighten all the bolts until step 3.

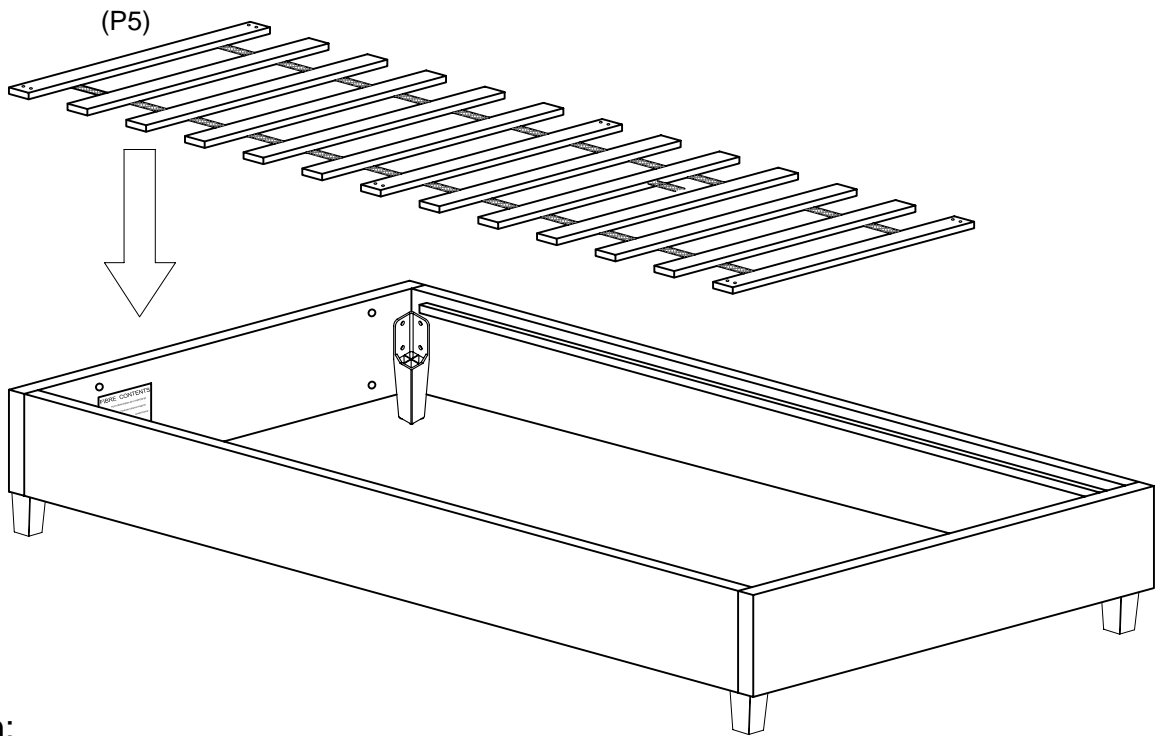
Step 2

You will need			
			
8 x Bolts 20mm (H1)	8 x Small Washers (H2)	8 x Asterisk Washers (H3)	Phillips head screwdriver



Attach side rails(P3) to headboard(P1)/footboard(P2) with 8 x small washers(H2), 8 x bolts(H1) and 8 x asterisk washers(H3) by using phillips head screwdriver, please do not tighten the bolts(H1) until step 3.



Step 3

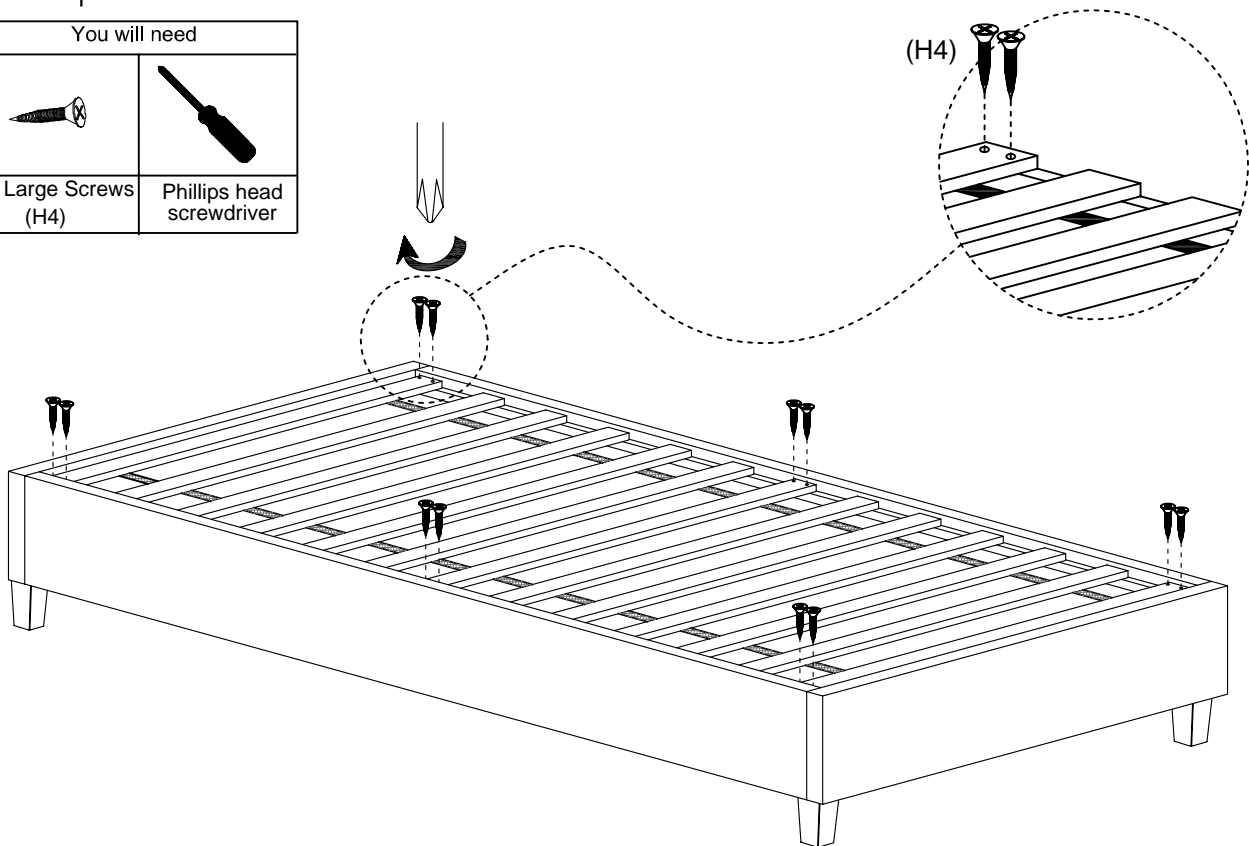


Attention:

Please make sure the inner space is square before placing slats onto the bedbase.

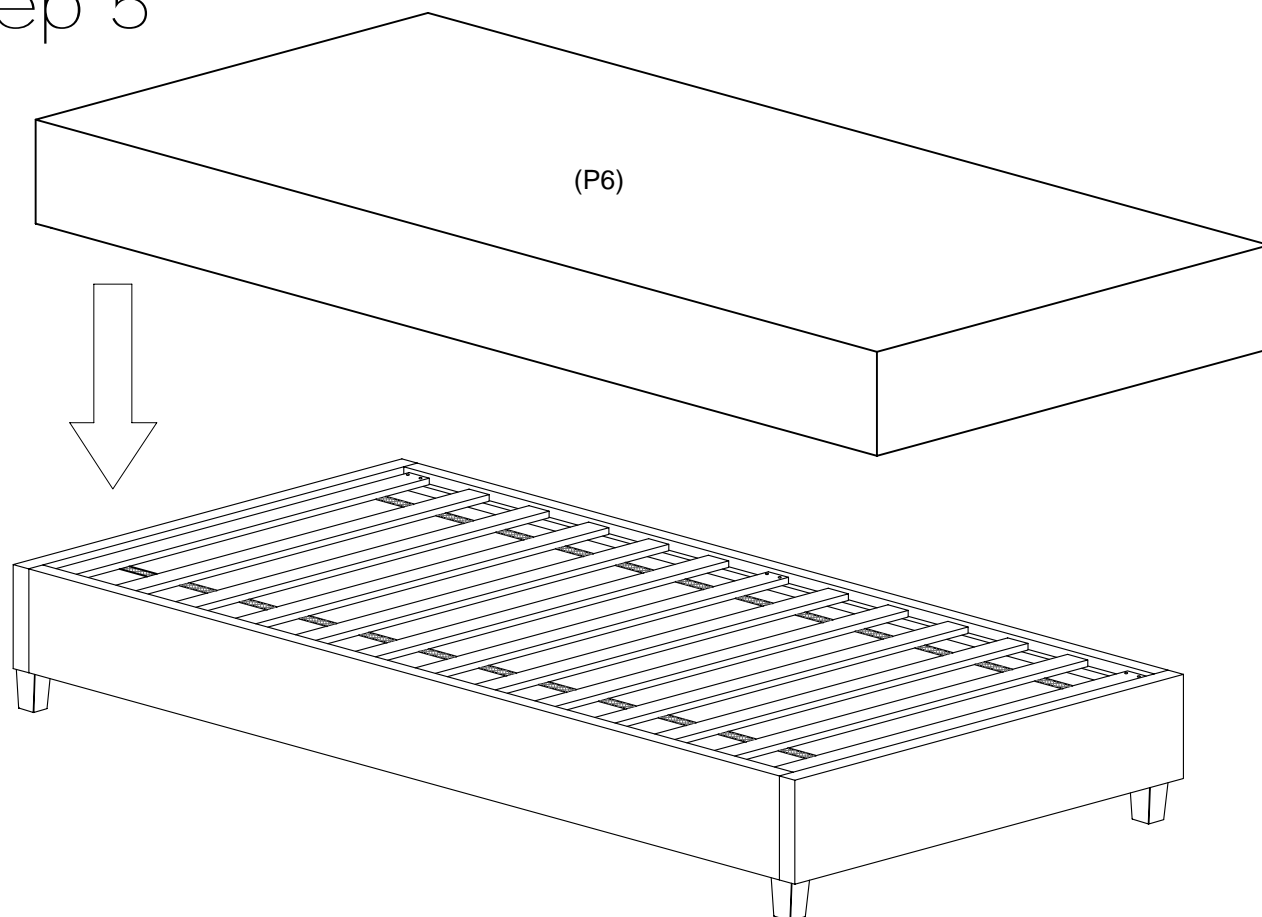
Step 4

You will need	
	
12 x Large Screws (H4)	Phillips head screwdriver



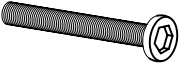

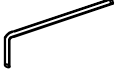
Please fix the slats(P5) on the bedbase with 12 x large screws(H4) according to the pre-drilled holes on the slats(P5). Please tighten all the large screws(H4).

Step 5

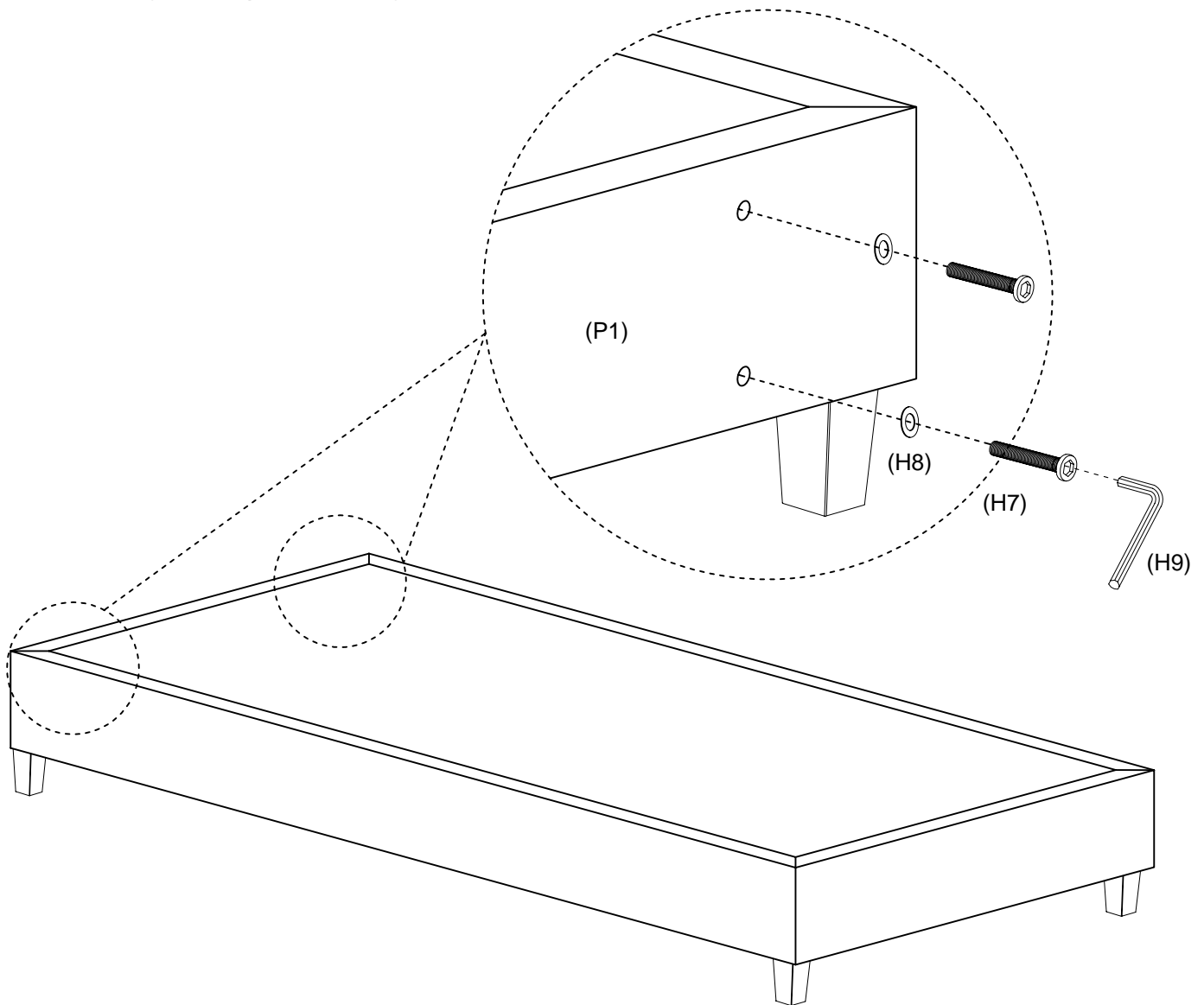


Put the removable fabric cover(P6) down as shown.

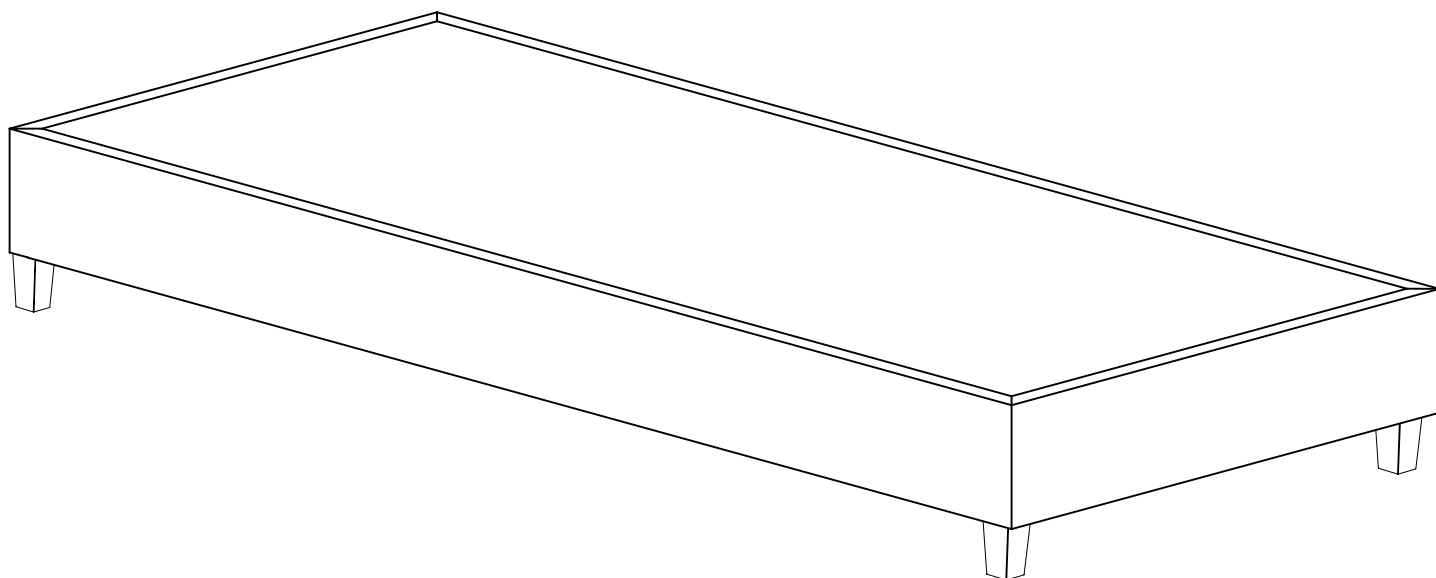
Step 6

You will need		
		
4 x Bolts 110mm (H7)	4 x Large Washers (H8)	Allen key (H9)

Attention: Step 7 is optional, if you do not need to assemble bedhead to the bedbase, please tighten 4 x bolts(H7) and 4 x large washers(H8) onto the bedbase by using allen key(H9) as shown below.



Step 7



Job Complete

In the interest of our environment please dispose of all packaging thoughtfully.