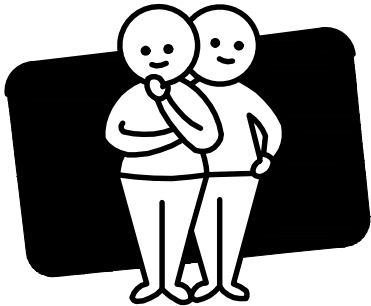


OMF



TWO PEOPLE



REQUIRED

HAMPTONS BEDSIDE

CAUTION :

Do not stand on, or use the bedside as a step ladder.
Do not rock on bedside as this may result in injury.

Enjoy

Your purchase From

OMU

Assembly checklist



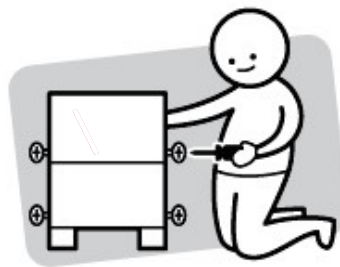
Read through the instructions carefully before you begin.



Make sure you have all the required tools. Never use power tools unless instructed.



Identify and lay out all of the components before you begin assembly.



Unless instructed, do not fully tighten screws until the item is fully assembled.

Useful Information

- ! Never use power tools unless specifically instructed. They can damage your components or hardware if used incorrectly.
- ! The most common mistakes made during assembly are using the wrong hardware or getting components back to front.
- ! Always use a soft surface (such as carpet or cardboard) when assembling your product to avoid scratching or damaging the surface of the product.
- ! Bulky items such as wardrobes and bunk beds should be assembled in the room they will be used in as they may not fit through a door once assembled.
- ! Never use any glue until you are certain that the parts belong together.
- ! Periodically check and re-tighten all fasteners. Check the product care label or website for product care instructions.
- ! If you are having any difficulties assembling your product, missing any hardware or components please visit our website Help Centre for further assistance.

What you need

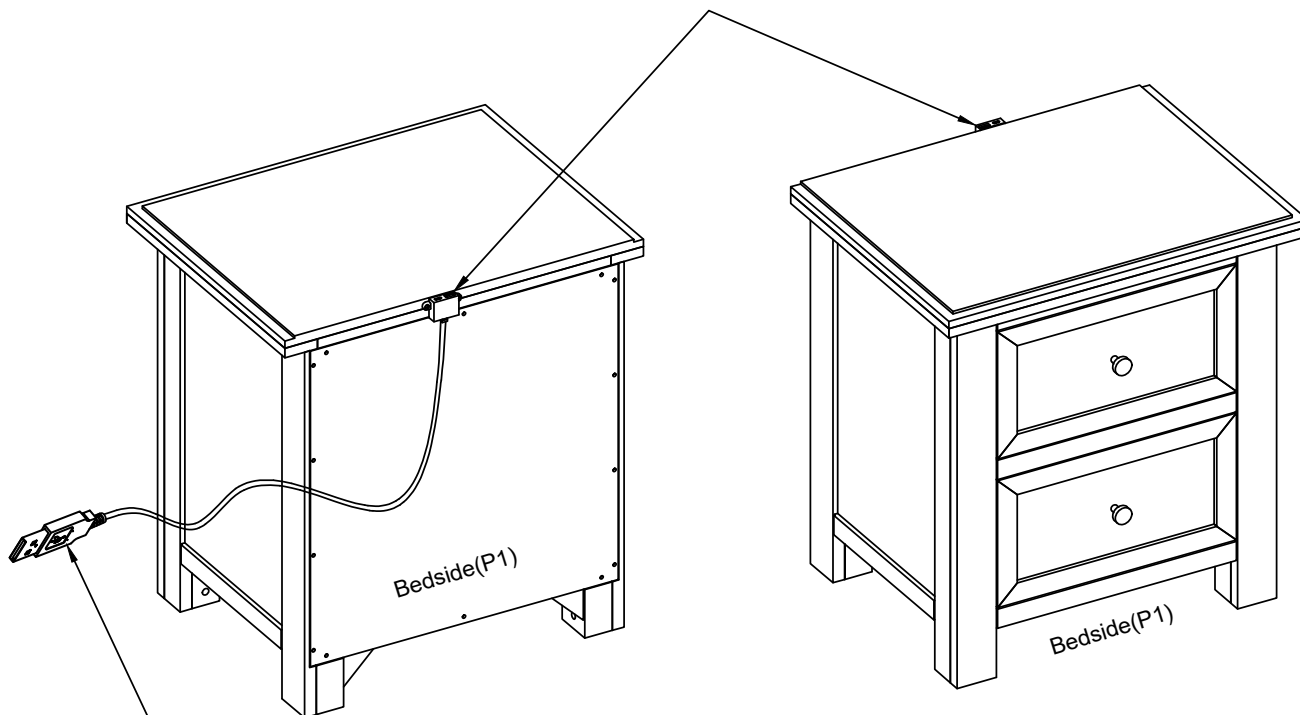
to assemble the product



DO NOT USE

Other tools you need
Phillips head screwdriver

The USB portal can be used to charge your device (USB cable not included)



USB cable to connect to your power supply (power supply not included).

Parts list

Box 1 : Bedside(P1) ; Hardware Pack.



Plastic bracket



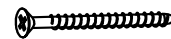
Zip Tie



Plastic plug
(4)



Screws
2 x M4 x 20mm

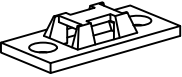







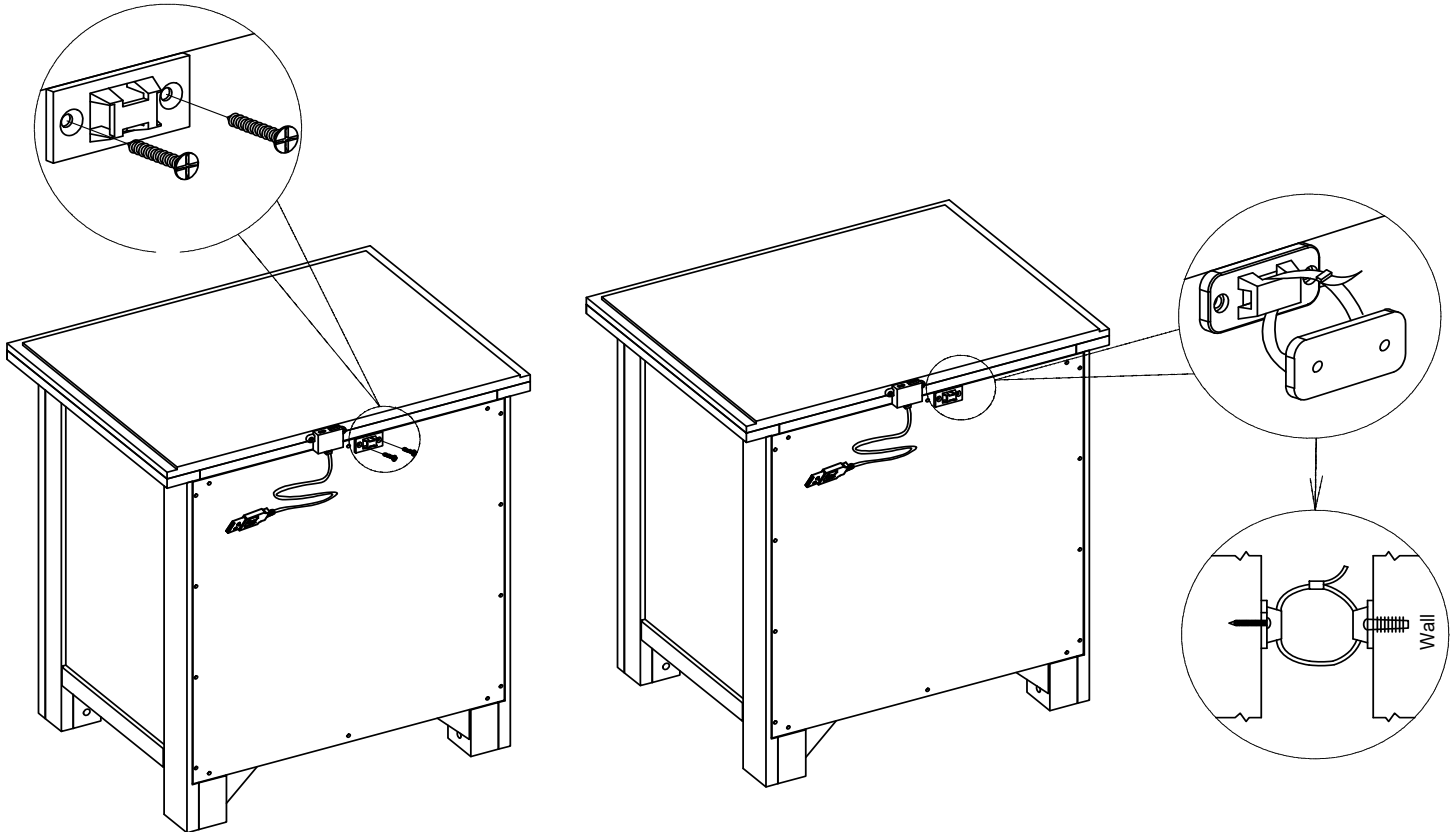
Screws
2 x M4 x 45mm

Please make sure you have all these parts before you start

Step 1

You will need

					
Plastic bracket (2)	Zip Tie	Plastic plug (4)	Screws 2 x M4 x 20mm	Screws 2 x M4 x 45mm	Phillips head screwdriver (not provided)



WARNING: ENSURE THE WALL STRAP IS ATTACHED TO AVOID SERIOUS INJURY.

To avoid any serious or fatal injury, this product has been fitted with a wall strap to prevent toppling. We strongly recommend that this product is permanently fixed to the wall or other suitable surface. Fixing devices are not included since different surface materials require different attachments. Please seek professional advice if you are in doubt of what fixing device to use.

There is an anti-topple strap fitted to the back of the bedside, choose a suitable wall fixing, and then fasten the strap to the wall as shown.

Step 2



Job Complete

In the interest of our environment please dispose of all packaging thoughtfully.