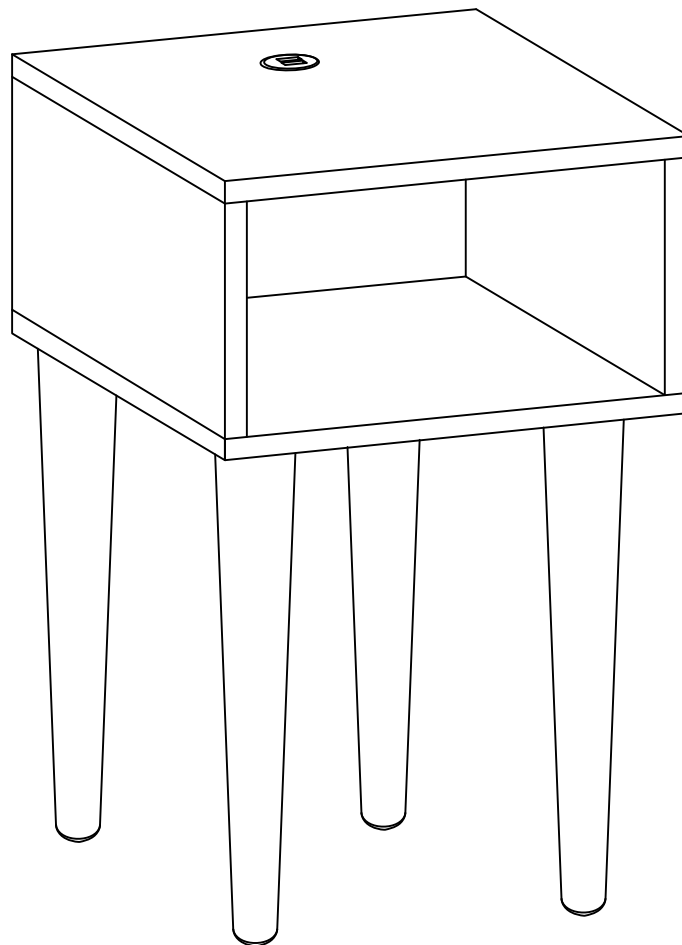
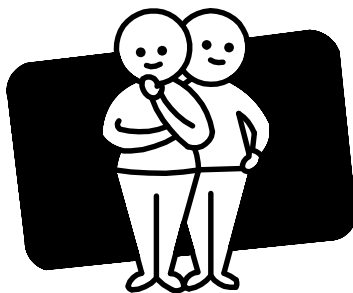


OMF

Version 1.0



TWO PEOPLE



REQUIRED

LOFT

BEDSIDE

CAUTION :

Do not stand on, or use the bedside as a step ladder.
Do not rock on bedside as this may result in injury.

Enjoy

Your purchase From

OML

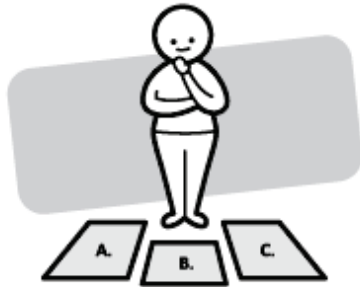
Assembly checklist



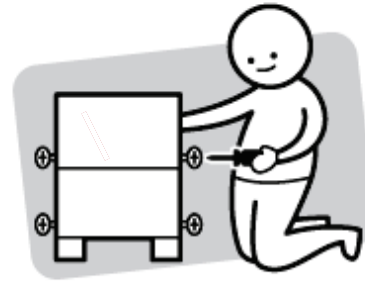
Read through the instructions carefully before you begin.



Make sure you have all the required tools. Never use power tools unless instructed.



Identify and lay out all of the components before you begin assembly.



Unless instructed, do not fully tighten screws until the item is fully assembled.

Useful Information

- ! Never use power tools unless specifically instructed. They can damage your components or hardware if used incorrectly.
- ! The most common mistakes made during assembly are using the wrong hardware or getting components back to front.
- ! Always use a soft surface (such as carpet or cardboard) when assembling your product to avoid scratching or damaging the surface of the product.
- ! Bulky items such as wardrobes and bunk beds should be assembled in the room they will be used in as they may not fit through a door once assembled.
- ! Never use any glue until you are certain that the parts belong together.
- ! Periodically check and re-tighten all fasteners. Check the product care label or website for product care instructions.
- ! If you are having any difficulties assembling your product, missing any hardware or components please visit our website Help Centre for further assistance.

What you need

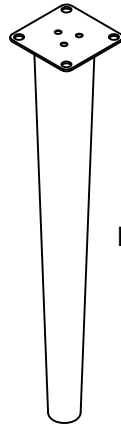
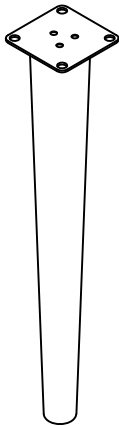
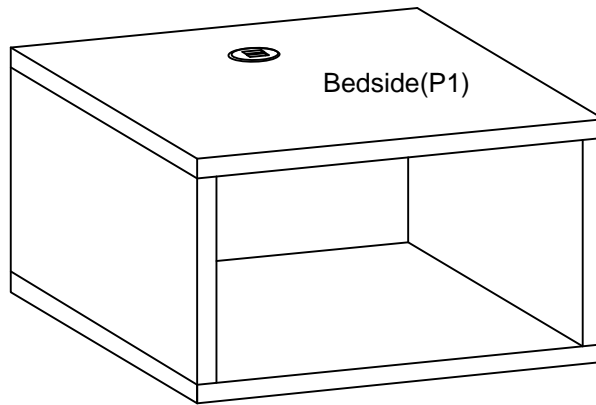
to assemble the product



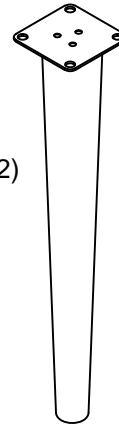
DO NOT USE



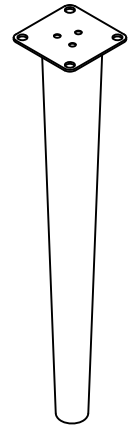
Other tools you need
Phillips head screwdriver



Leg(P2)

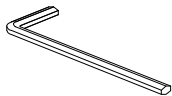


Leg(P2)



Parts list

Box 1 : Bedside(P1) ; Hardware Pack.



1 x M4(Allen Key)
(H1)



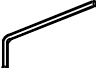
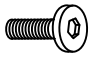

(Bolt)
16 x M6 x 16mm
(H2)

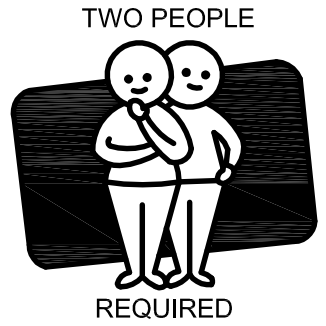
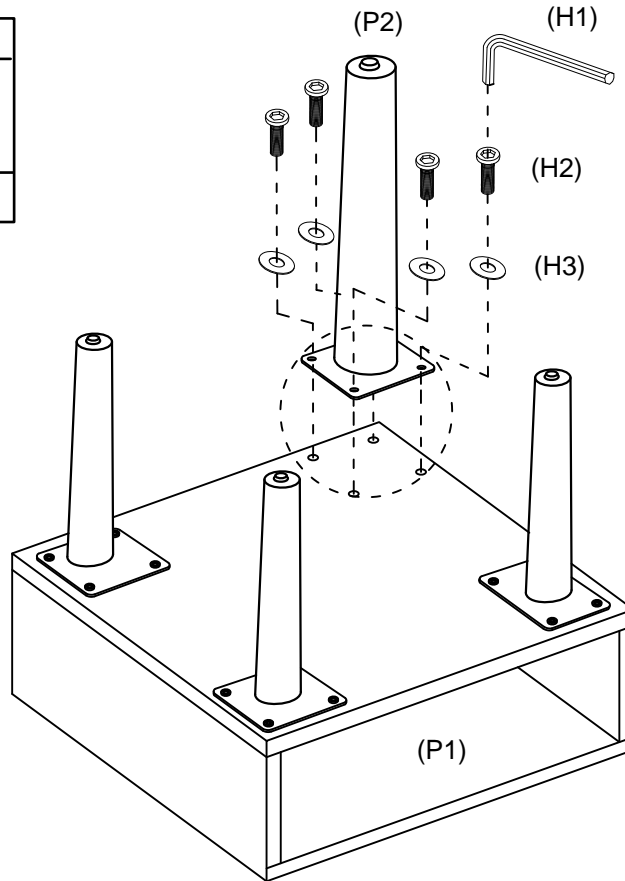


(Washer)
16 x M6 x 19mm
(H3)

Please make sure you have all these parts before you start

Step 1

You will need		
		
Allen Key (H1)	16 x Bolt 16mm (H2)	16 x Washer (H3)

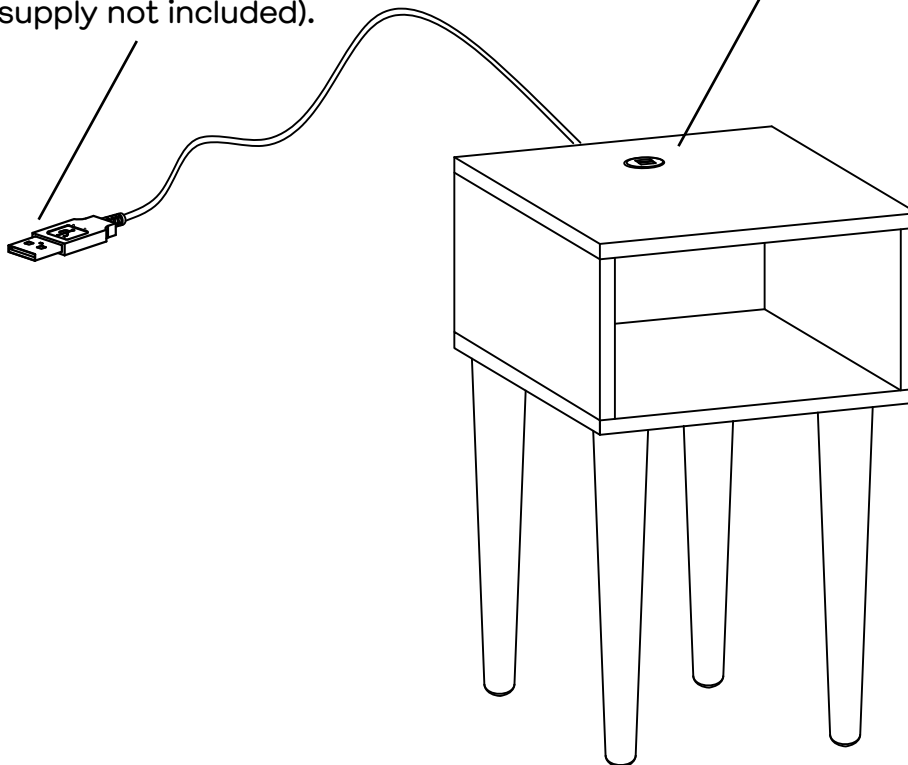


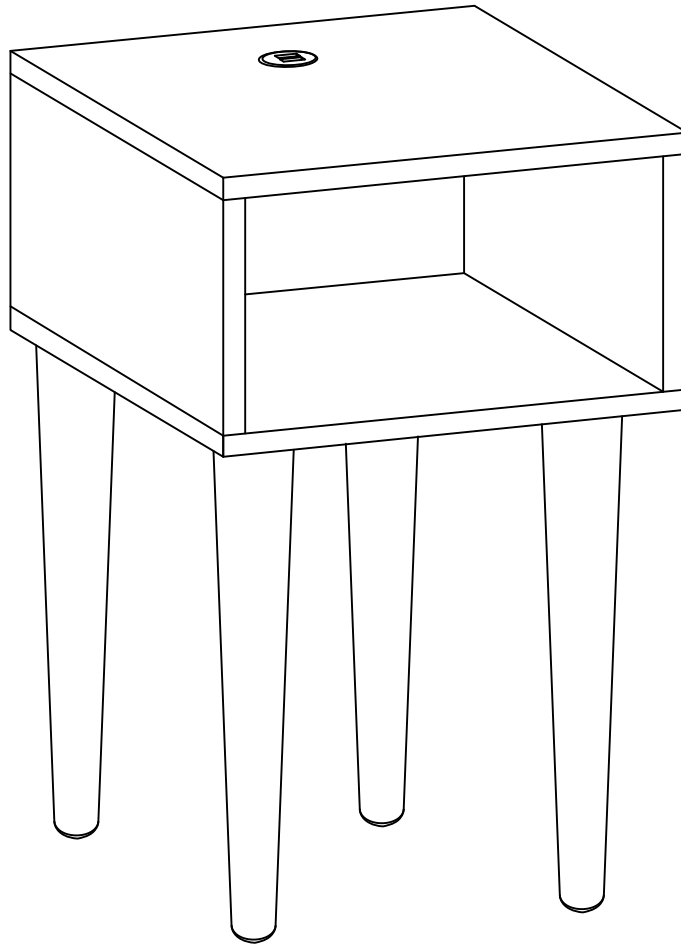
Attach legs(P2) to the bottom of bedside(P1) by using allen key(H1) with 16 x bolts 16mm(H2) and 16 x washers(H3).

Step 2

USB cable to connect to your power supply (power supply not included).

The USB portal can be used to charge your device (USB cable not included)





Job Complete

In the interest of our environment please dispose of all packaging thoughtfully.