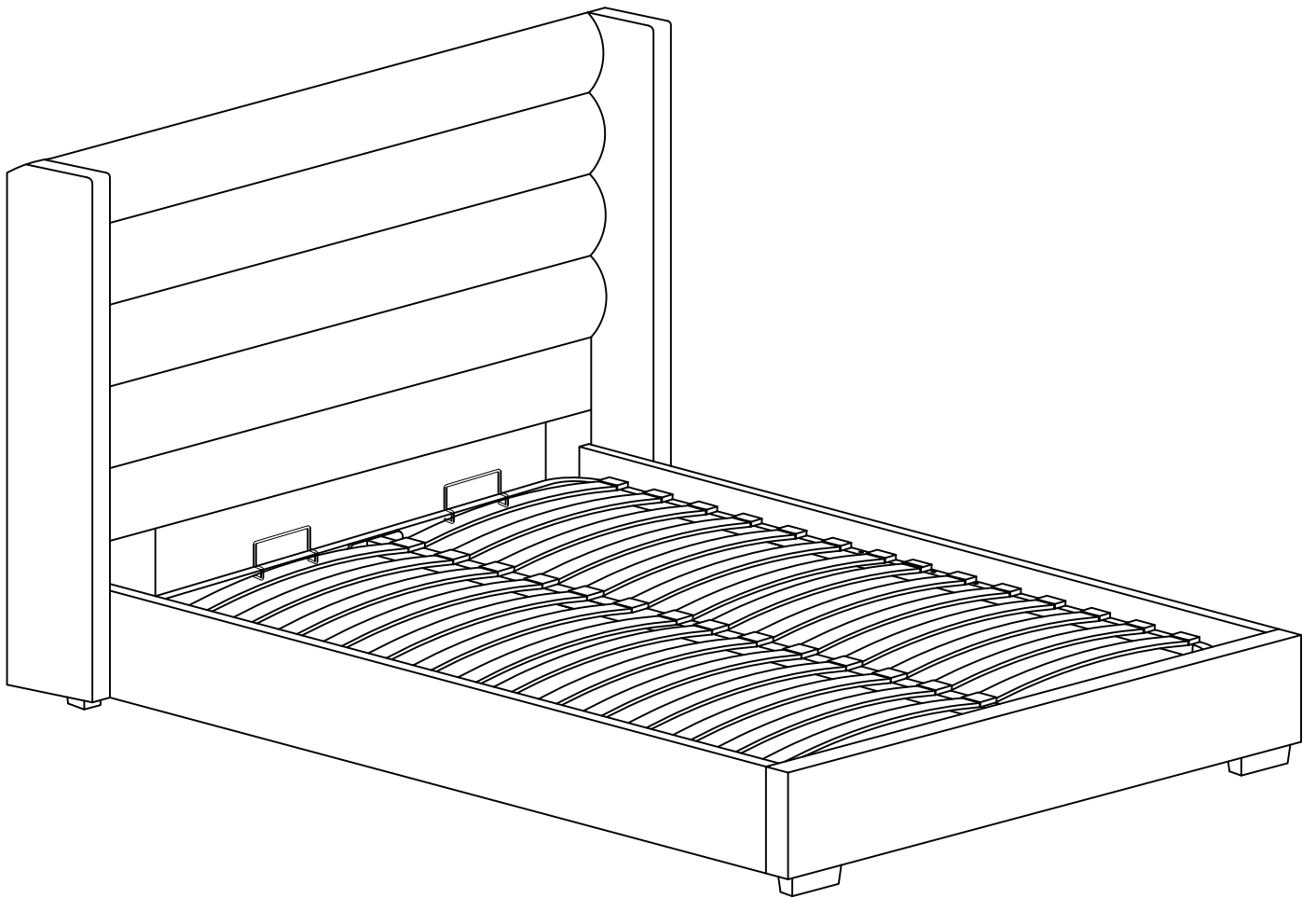
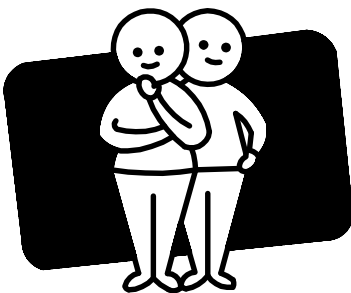


# OMF

Version 1.1



TWO PEOPLE



REQUIRED

# MOSMAN

QUEEN/KING BED WITH GAS LIFT

Enjoy  
Your purchase From

**OMU**

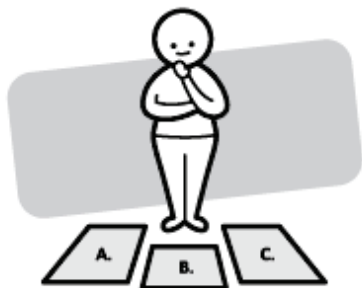
# Assembly checklist



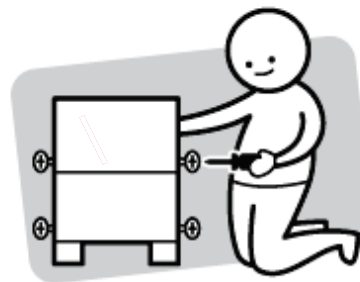
Read through the instructions carefully before you begin.



Make sure you have all the required tools. Never use power tools unless instructed.



Identify and lay out all of the components before you begin assembly.



Unless instructed, do not fully tighten screws until the item is fully assembled.

## Useful Information

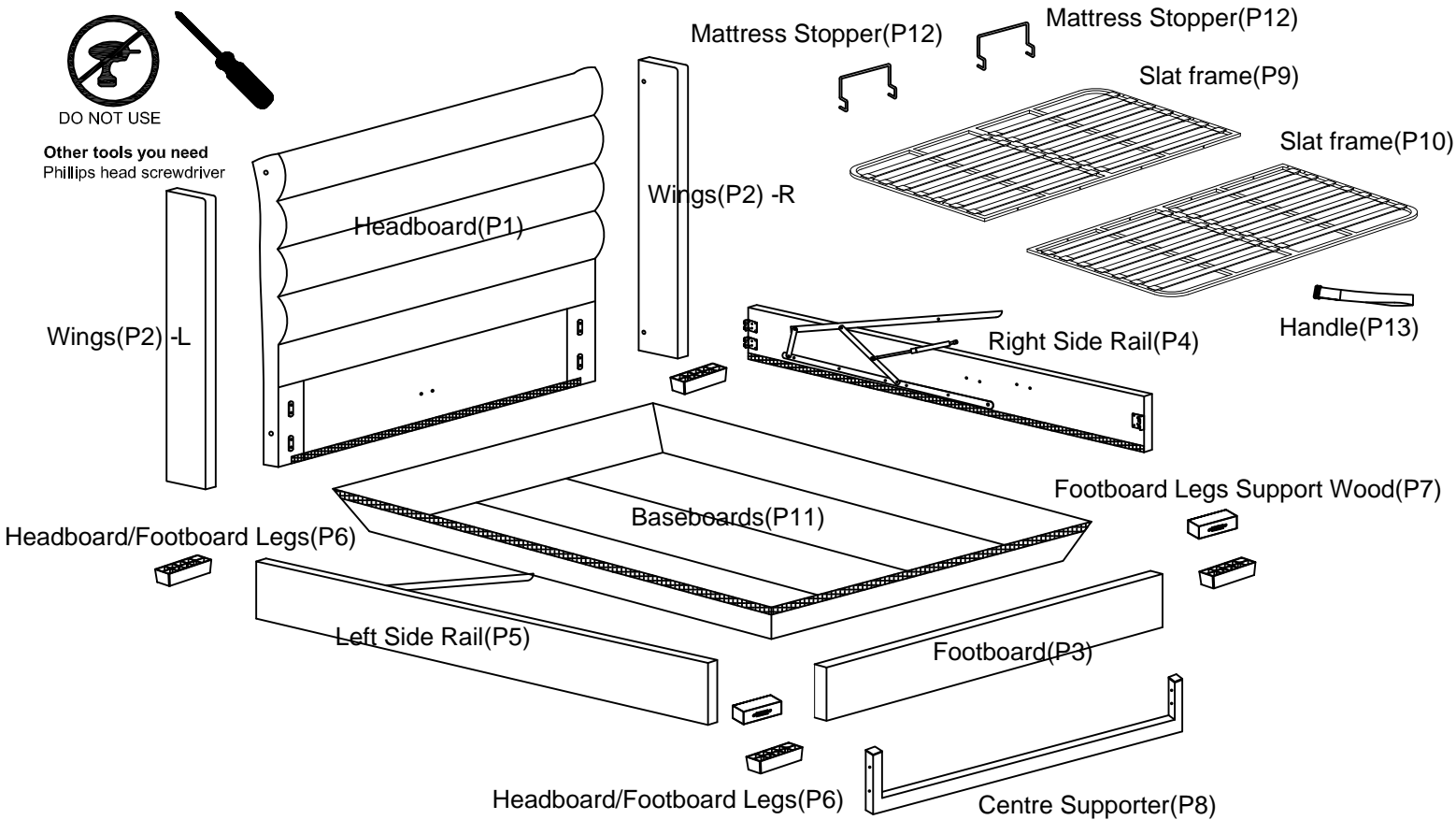
- ! Never use power tools unless specifically instructed. They can damage your components or hardware if used incorrectly.
- ! The most common mistakes made during assembly are using the wrong hardware or getting components back to front.
- ! Always use a soft surface (such as carpet or cardboard) when assembling your product to avoid scratching or damaging the surface of the product.
- ! Bulky items such as wardrobes and bunk beds should be assembled in the room they will be used in as they may not fit through a door once assembled.
- ! Never use any glue until you are certain that the parts belong together.
- ! Periodically check and re-tighten all fasteners. Check the product care label or website for product care instructions.
- ! If you are having any difficulties assembling your product, missing any hardware or components please visit our website Help Centre for further assistance.

# What you need to assemble the product



DO NOT USE

Other tools you need  
Phillips head screwdriver



## Parts list


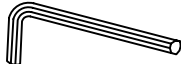



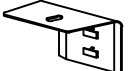




**Box 1 :** Footboard(P3); Right Side Rail(P4); Left Side Rail(P5); Headboard/Footboard Legs(P6); Footboard Legs Support Wood(P7); Centre Supporter(P8); Baseboards(P11); Handle(P13); Hardware Pack for assembling bed.

**Box 2 :** Headboard(P1)

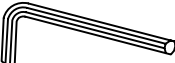





**Box 3 :** Wings(P2) - R; Wings(P2) - L

**Box 4 :** Slat frame(P9); Slat frame(P10); Mattress Stopper(P12); Hardware Pack for slat frame.

## Attention: Below hardware is packed in the fitting box

					
(Gold Bolts) 12 x M8 x 18mm (H1)	(Allen Key) 1 x M5 (H2)	(Bolts) 12 x M8 x 25mm (H3)	(Washers) 8 x M8 x 19mm (H4)	(Bolts) 8 x M8 x 60mm (H5)	6 x (Brackets) (H6)
					
9 x (Felt pads) (H7)	(Screws) 4 x M5 x 40mm (H8)	(Screws) 8 x M4 x 45mm (H9)	(Spring Washer) 4 x M8 x 45mm (H10)		

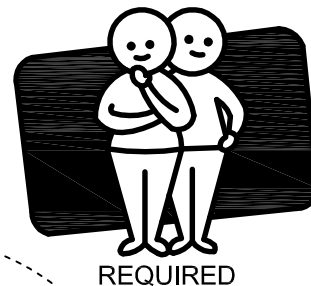
## Attention: Below hardware is packed with slat frame, do not throw away the red plastic bag

					
(Allen Key) 1 x M5 (H2)	(Washers) 24 x M8 x 19mm (H4)	(Bolts) 8 x M8 x 45mm (H11)	(Bolts) 4 x M8 x 80mm (H12)	(Nut) 12 x M8 (H13)	(Spanner) 1 x M13 (H14)

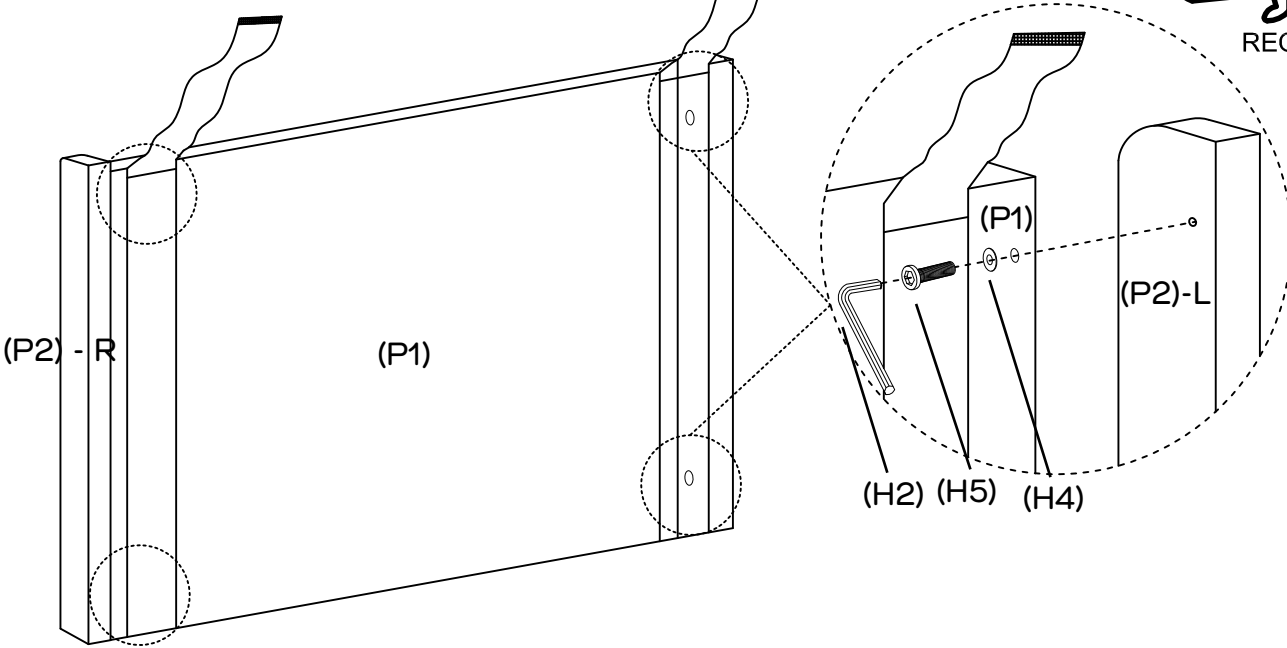
**Please make sure you have all these parts before you start**

# Step 1

TWO PEOPLE



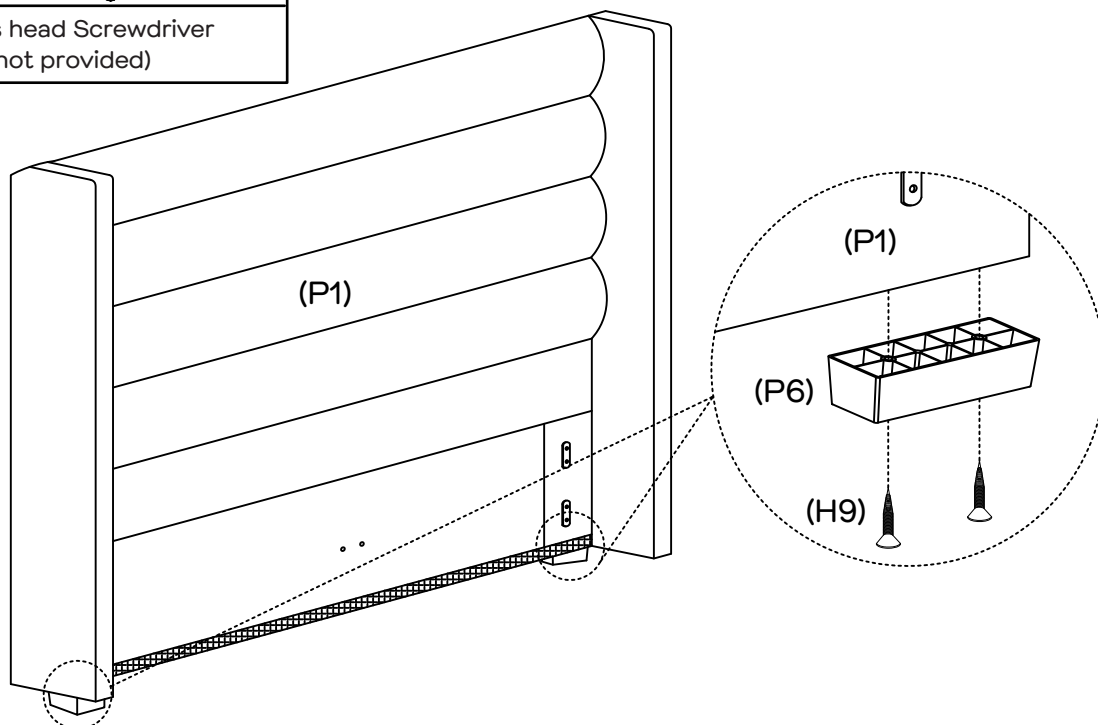
You will need		
Allen Key (H2)	4 x Washers M8 (H4)	4 x Bolts 60mm (H5)



Attach 2 x wings (P2-R;P2-L) to the headboard (P1) with 4 x bolts (H5) and 4 x washers(H4) by Allen Key(H2), fully tighten the bolts(H5).



# Step 2

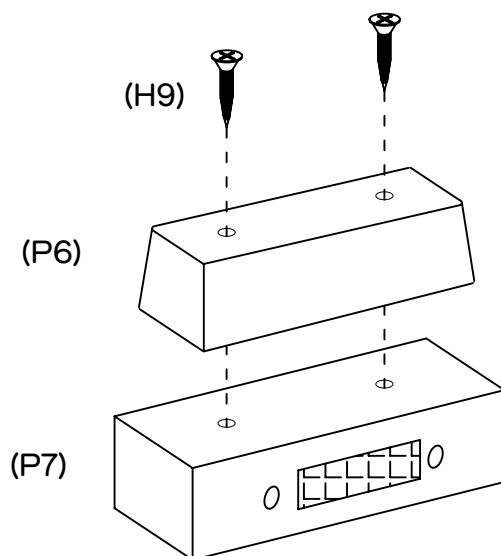
You will need	
4 x Screws (H9)	Phillips head Screwdriver (not provided)



Attach Headboard legs(P6) to the bottom of headboard(P1) with 4 x screws(H9) by using phillips head screwdriver.



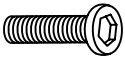

## Step 3

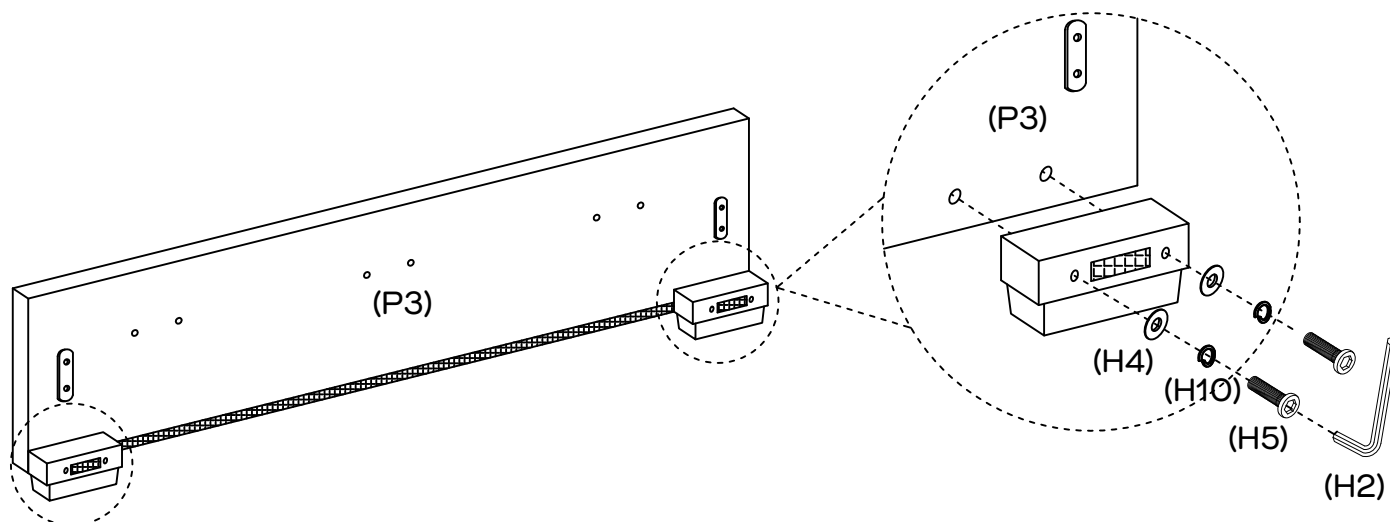
You will need	
	
4 x Screws (H9)	Phillips head Screwdriver (not provided)



Attach 2 x Footboard legs(P6) to the bottom of support wood(P7) with 4 x screws(H9) by using phillips head screwdriver(not provided)


## Step 4

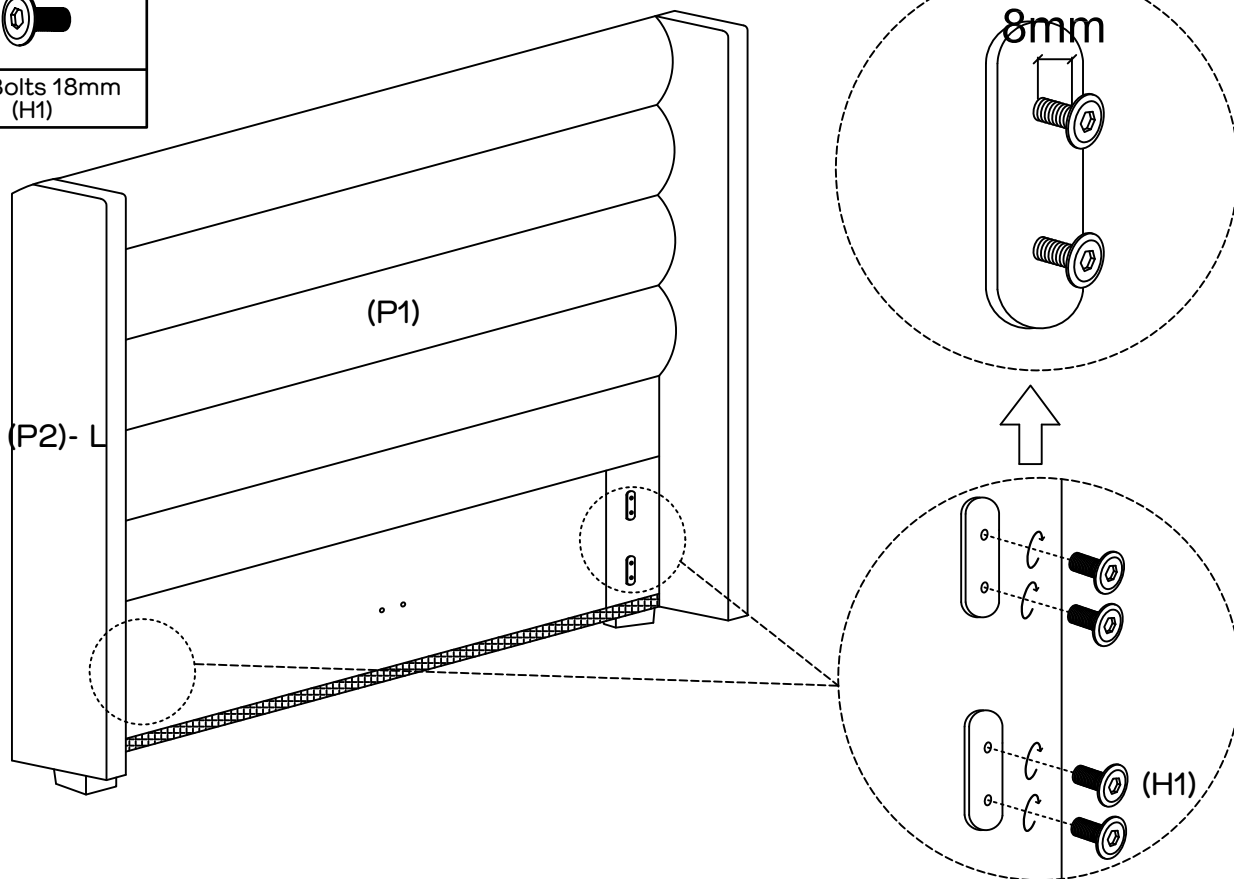
You will need			
			
Allen Key (H2)	8 x Washers (H4)	4 x Bolts 60mm (H5)	4 x Spring Washer (H10)



Attach 2 x Support Wood(P7) to the footboard(P3) with 4 x bolts(H5), 4 x washers(H4) and 4 x spring washers(H10) by using allen key(H2), fully tighten the bolts(H5).


## Step 5

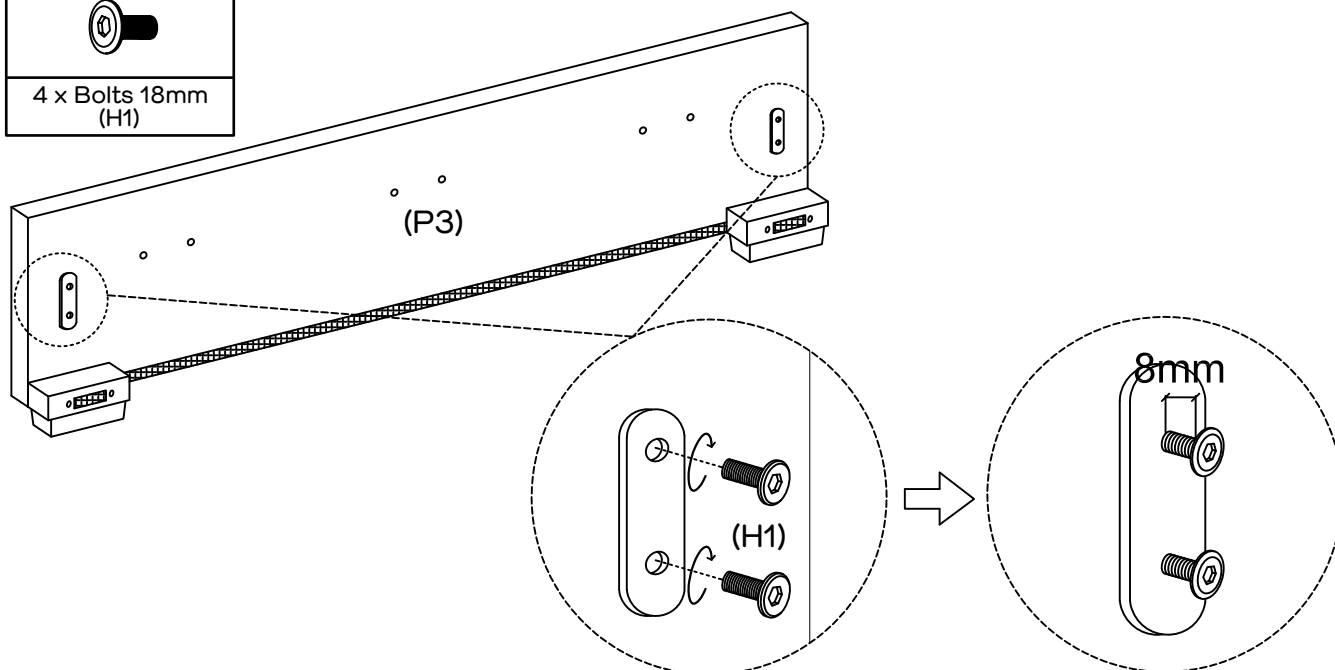
You will need

8 x Bolts 18mm (H1)



Install 8 x bolts (H1) to the headboard (P1) and keep them 8mm loose.


## Step 6

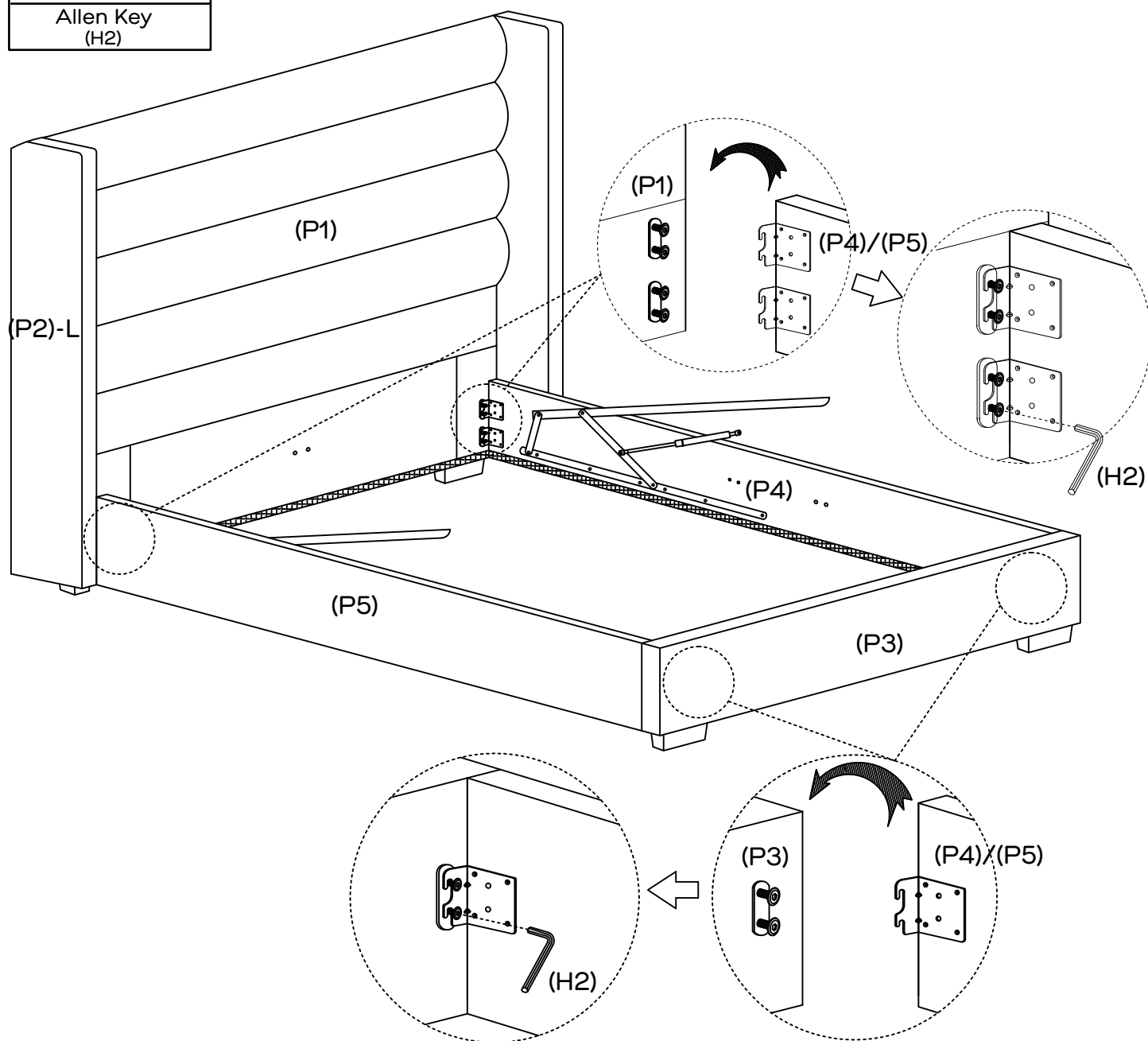
You will need

4 x Bolts 18mm (H1)



Install 4 x bolts (H1) to the footboard (P3) and keep them 8mm loose.


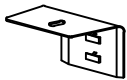


# Step 7

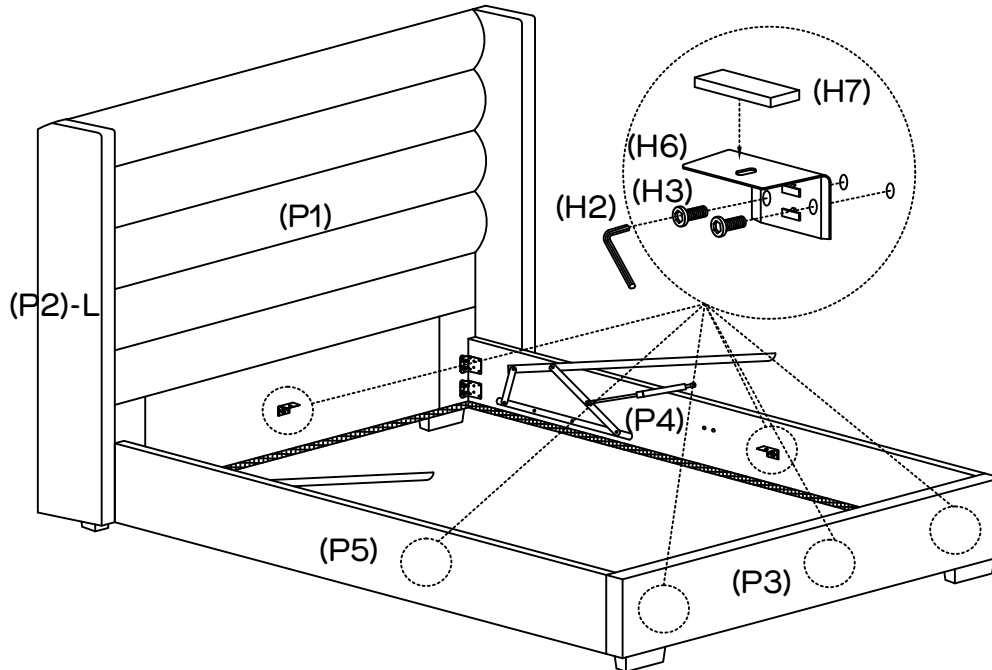
You will need

Allen Key (H2)



Then attach side rails (P4) / (P5) to headboard (P1) and footboard (P3) by slotting the bracket on the side rails (P4) / (P5) over the bolt as shown. Please do not tighten bolts until step 9.

## Step 8

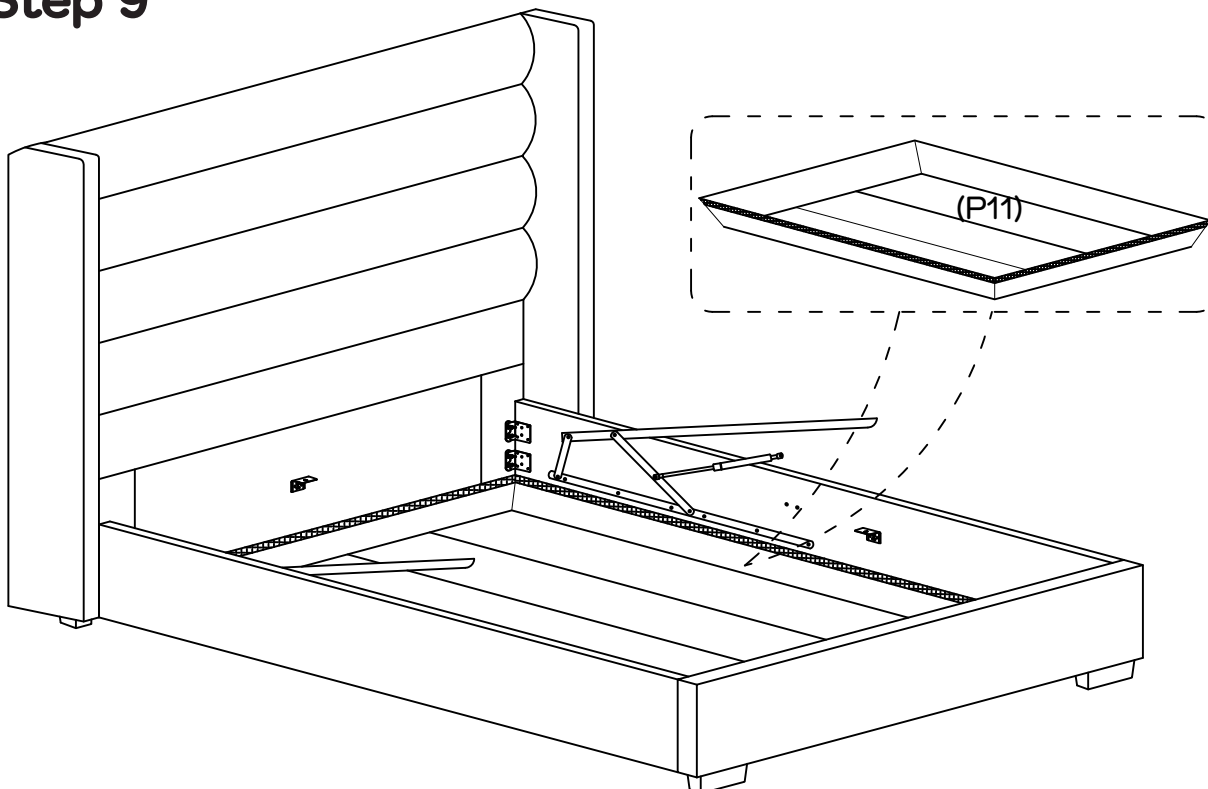
You will need			
			
12 x Bolts 25mm (H3)	6 x Brackets (H6)	6 x Felt Pads (H7)	Allen Key (H2)



Attach 6 x brackets (H6) to headboard (P1), footboard (P3) and side rails (P4/P5) with 12 x bolts (H3) by using allen key(H2).

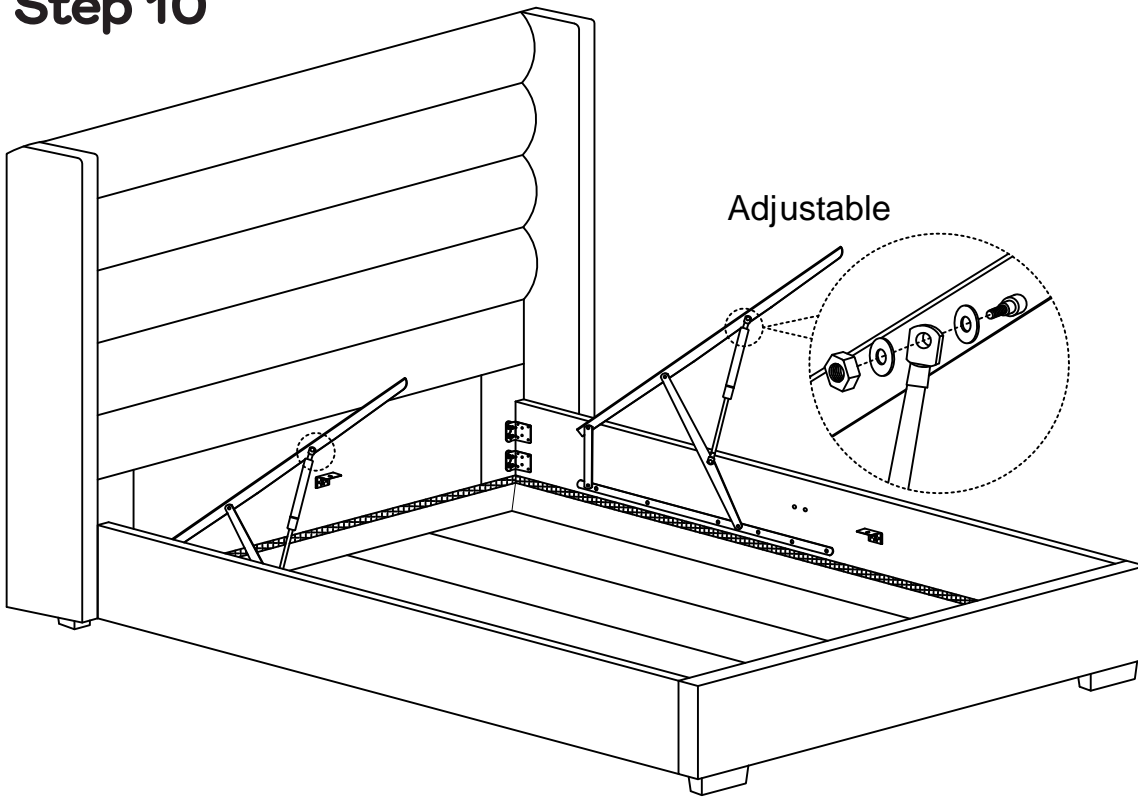
Stick 6 x felt pads (H7) onto 6 x brackets (H6).

## Step 9





Place the baseboard (P11) into the bed as shown. Then tighten all the bolts (H1) on the four corner.

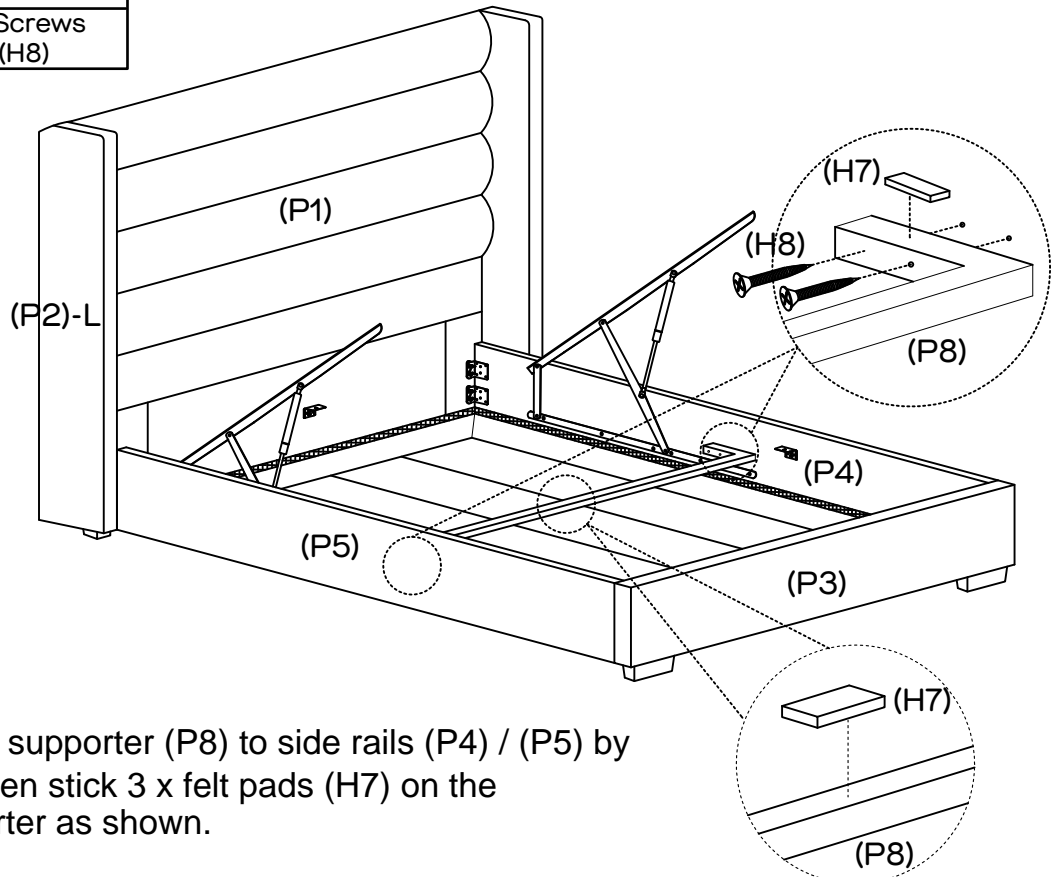
## Step 10



Loosen the nuts and washers on the bottom of rod bracket, attach the gas lift to the bottom of rod bracket using the bolt, then tighten the nut and washers. The bolt on the top of gas lift is adjustable, if the nuts and washers on the bottom of rod bracket can't be fitted.






## Step 11

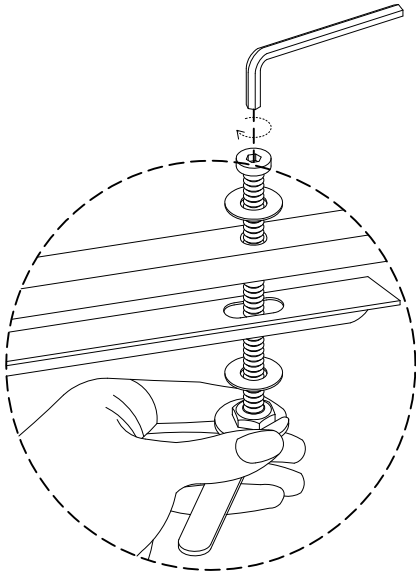
You will need	
	
3 x Felt pads (H7)	4 x Screws (H8)



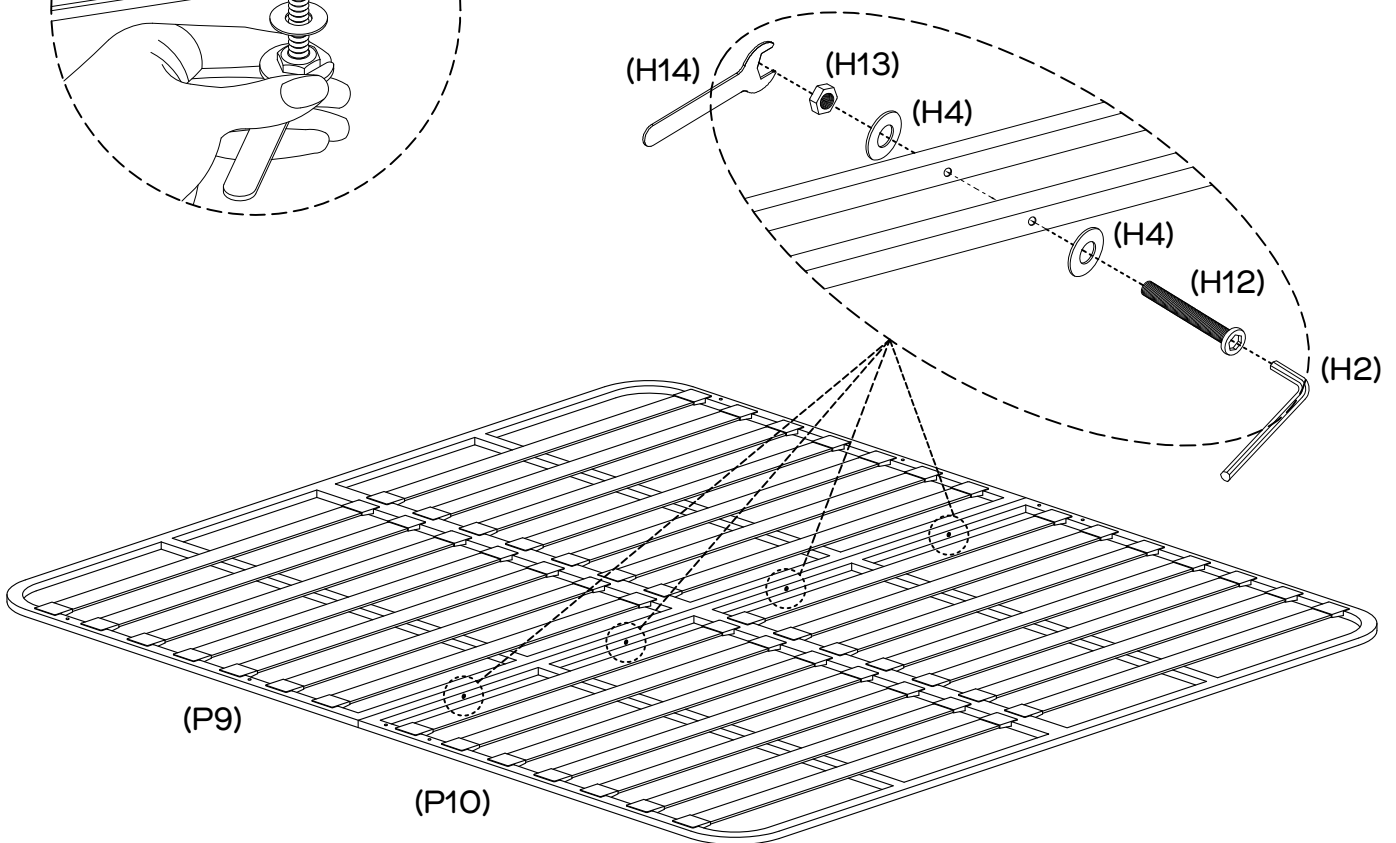
Attach metal centre supporter (P8) to side rails (P4) / (P5) by 4 x screws (H8). Then stick 3 x felt pads (H7) on the metal centre supporter as shown.

# Step 12

You will need				
				
Allen Key (H2)	8 x Washers (H4)	4 x Bolts 80mm (H12)	4 x Nut (H13)	1 x Spanner (H14)








Fix the nut (H13) at one end of bolt (H12) by using spanner (H14), then tighten the bolt (H12) by using Allen Key (H2).



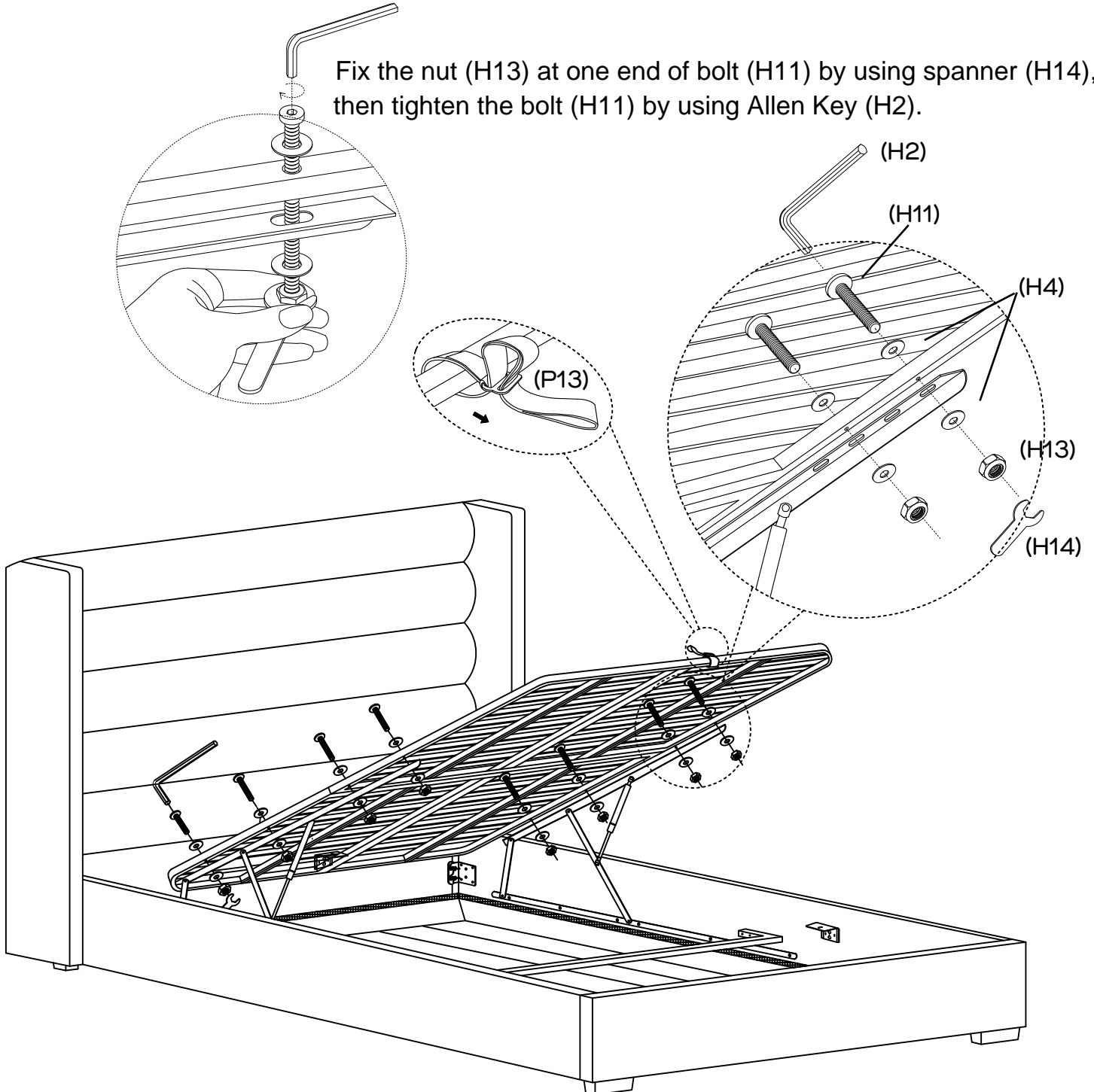
Place the folded slat frame as shown. Attach two parts together with 8 x washers (H4), 4 x nuts (H13) and 4 x bolts (H12) by using Allen key (H2) and spanner (H14).

# Step 13

You will need

				
Allen Key (H2)	16 x Washers (H4)	8 x Bolts 45mm (H11)	8 x Nut (H13)	1 x Spanner (H14)


Fix the nut (H13) at one end of bolt (H11) by using spanner (H14), then tighten the bolt (H11) by using Allen Key (H2).

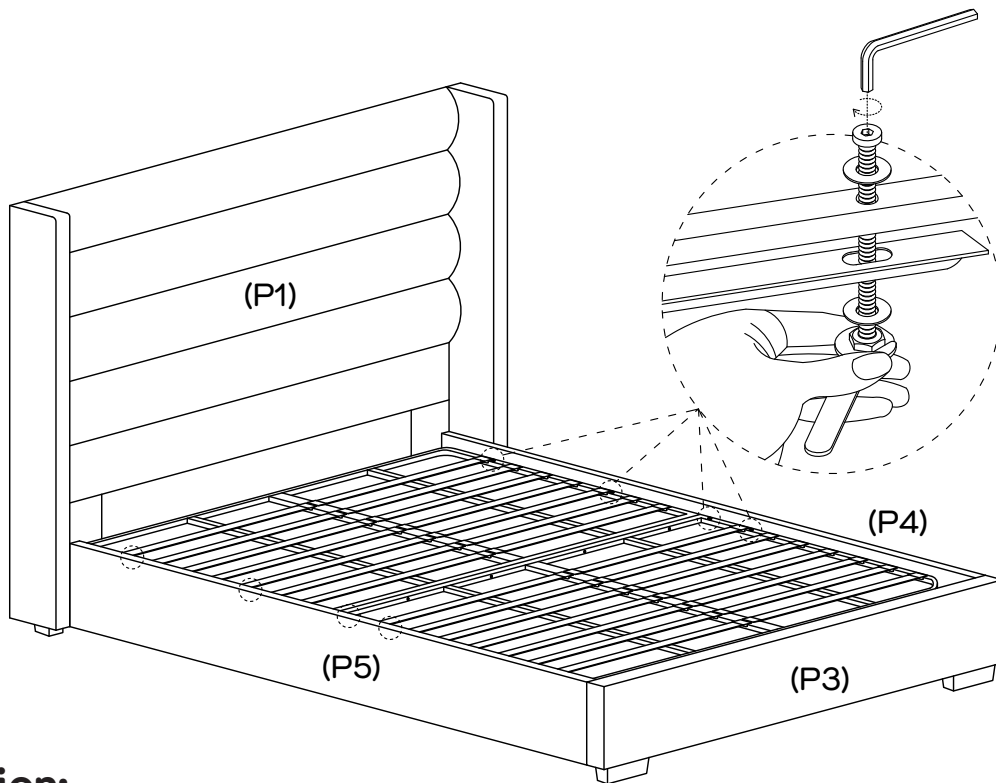
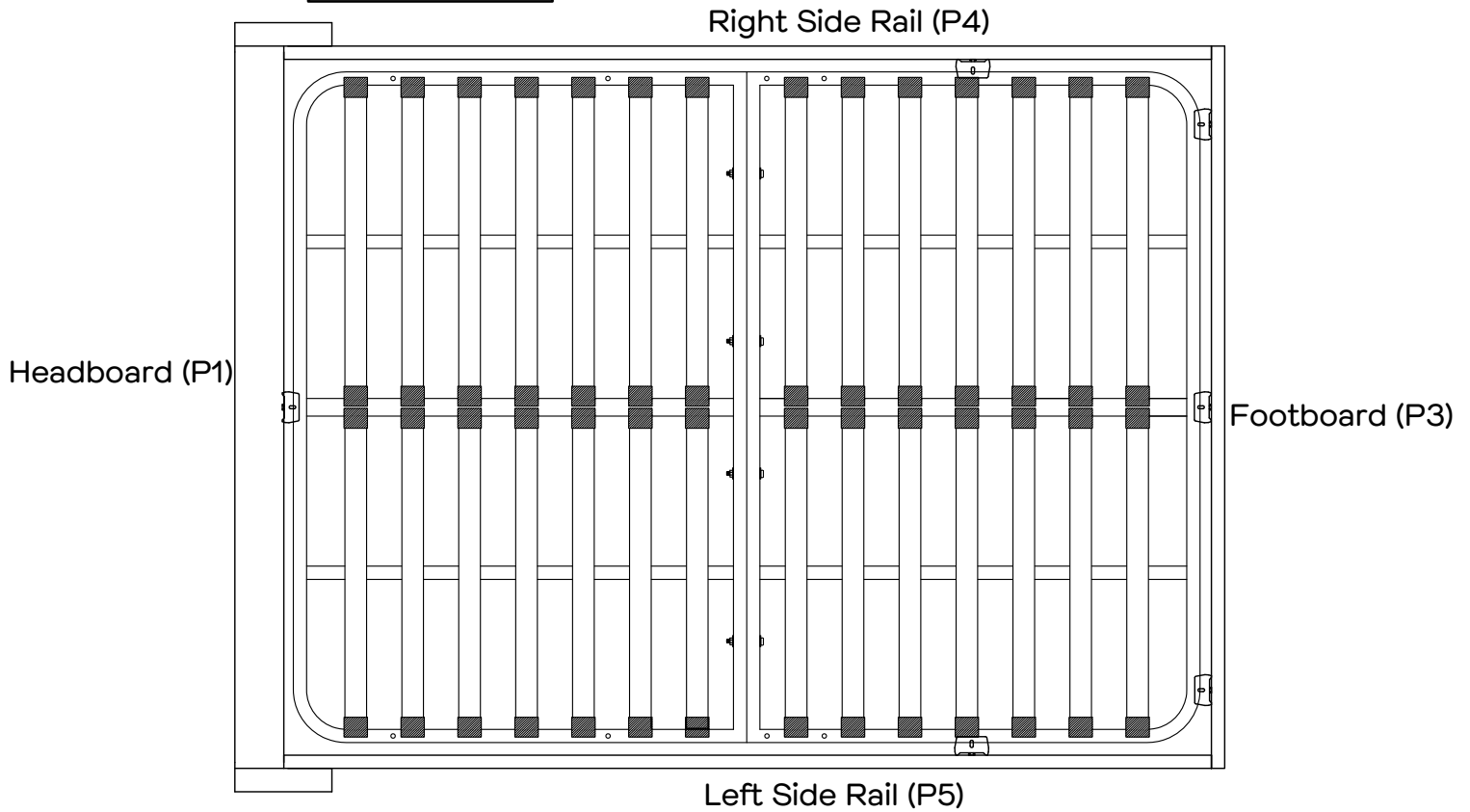


**Ensure the bed inner space is square.**

Attach slat frame (P9/P10) to mechanism + piston (P4/P5) using 8 x bolts (H11), 8 x nuts (H13), and 16 x washers (H4). Do not fully tighten all the Bolts (H11) until step 14.

# Step 14

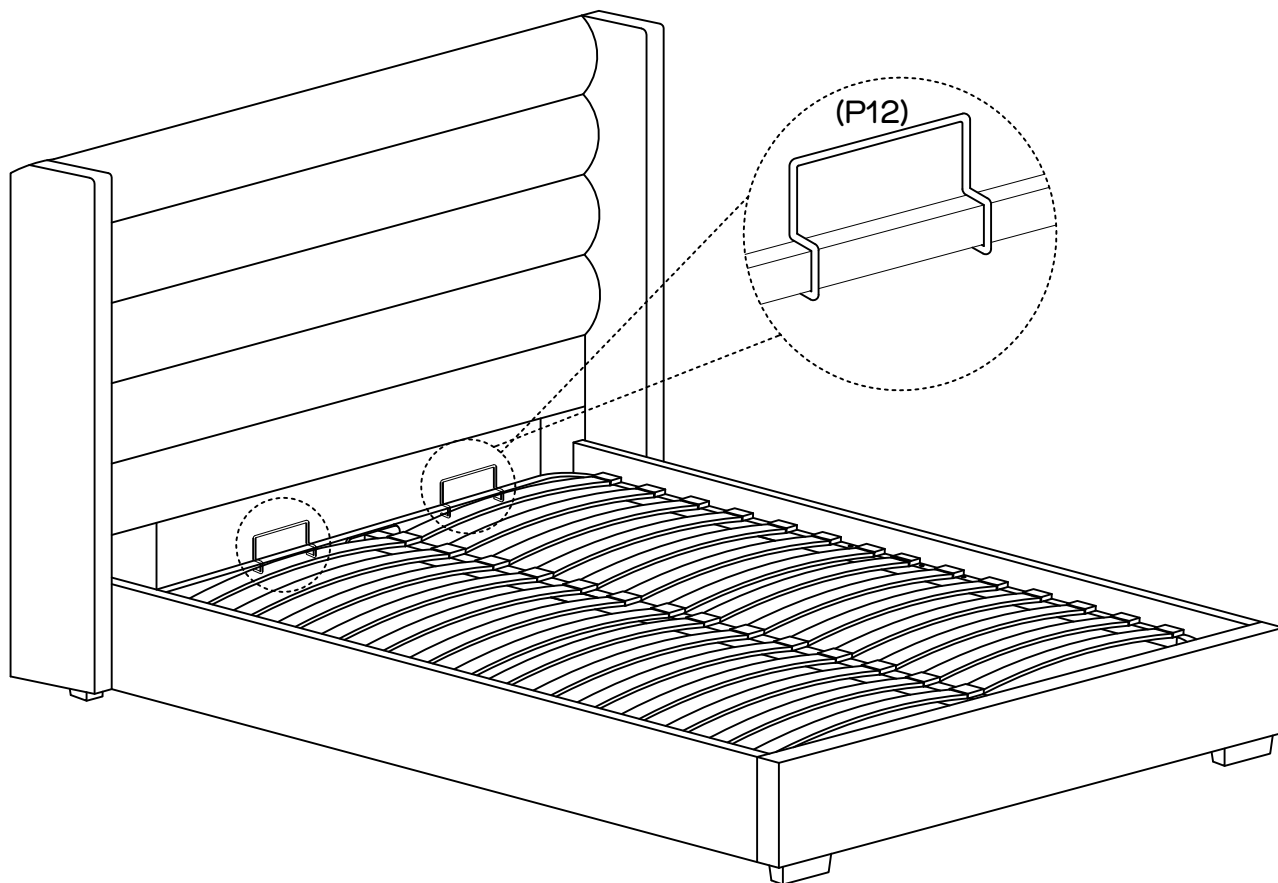
You will need

Allen Key (H2)



## Attention:

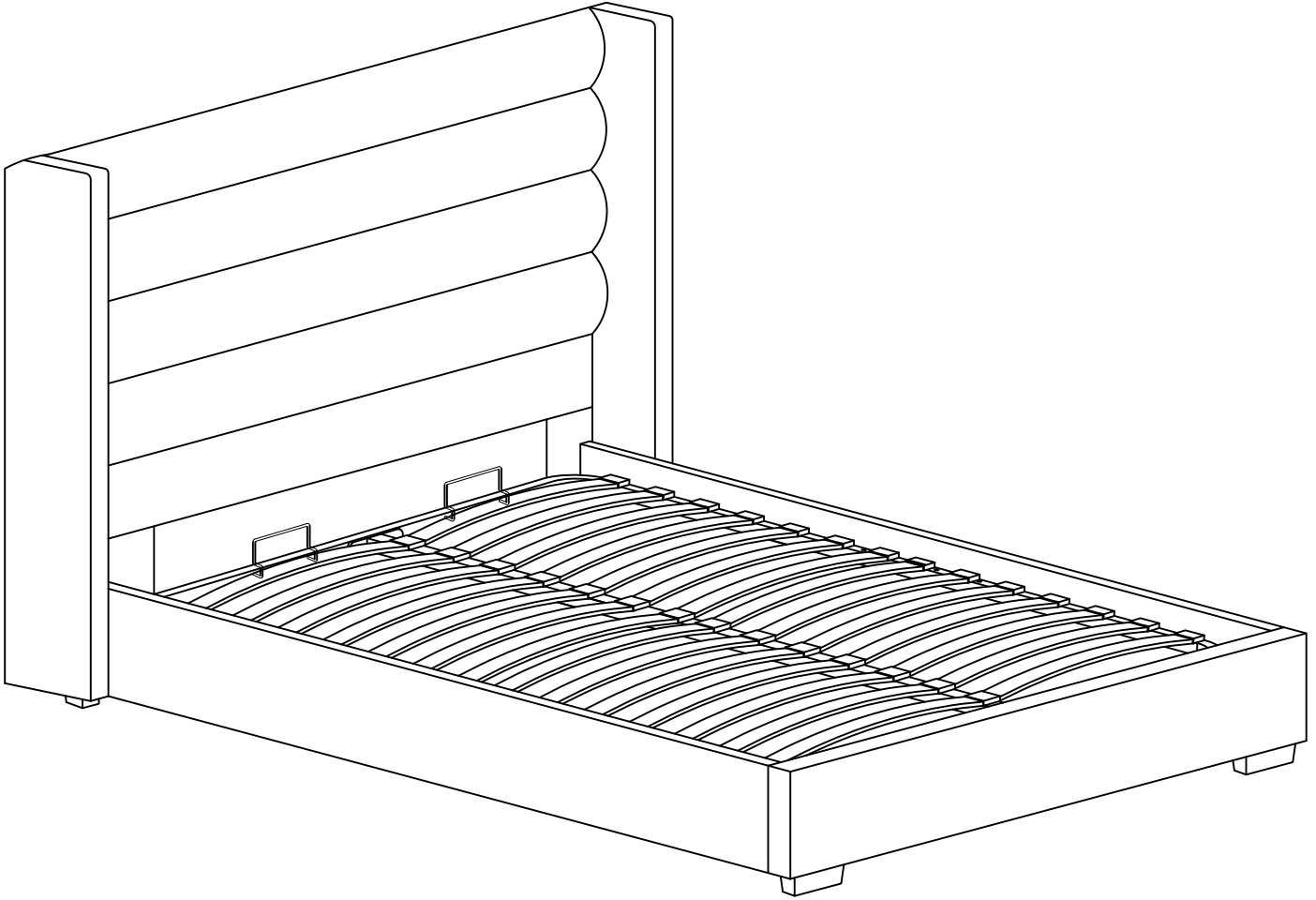
Close the slat frame(P9/P10). Adjust the slat frame to ensure slat frame are centered before fully tightening bolts. Fully tighten the bolts and nuts on slat frame(P9/P10) and mechanism + piston (P4/P5) by using Allen Key (H2) and Spanner (H14).

## Step 15



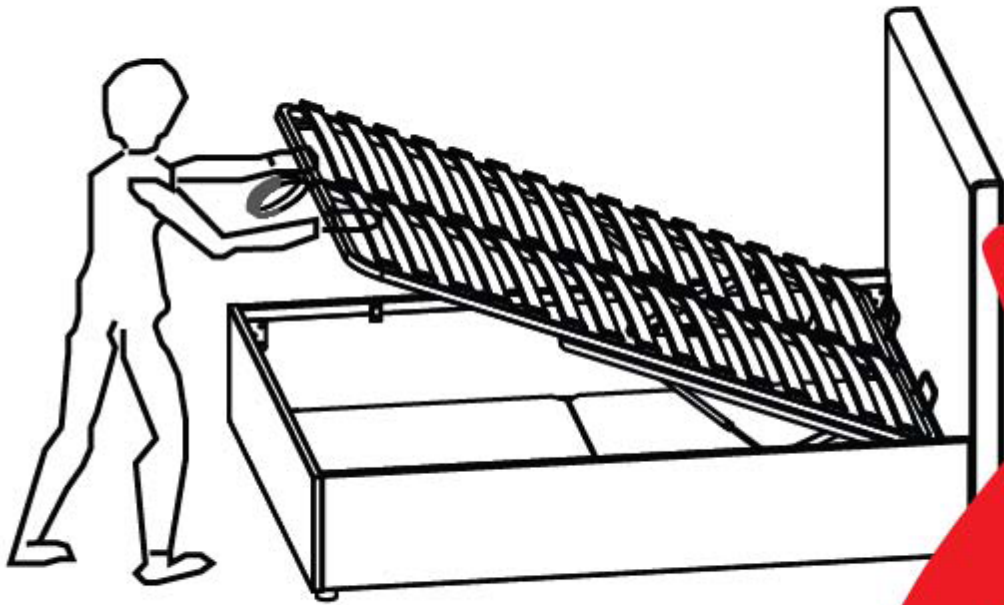
Secure the mattress stopper (P12) to slat frame near the headboard (P1) .

## Step 16

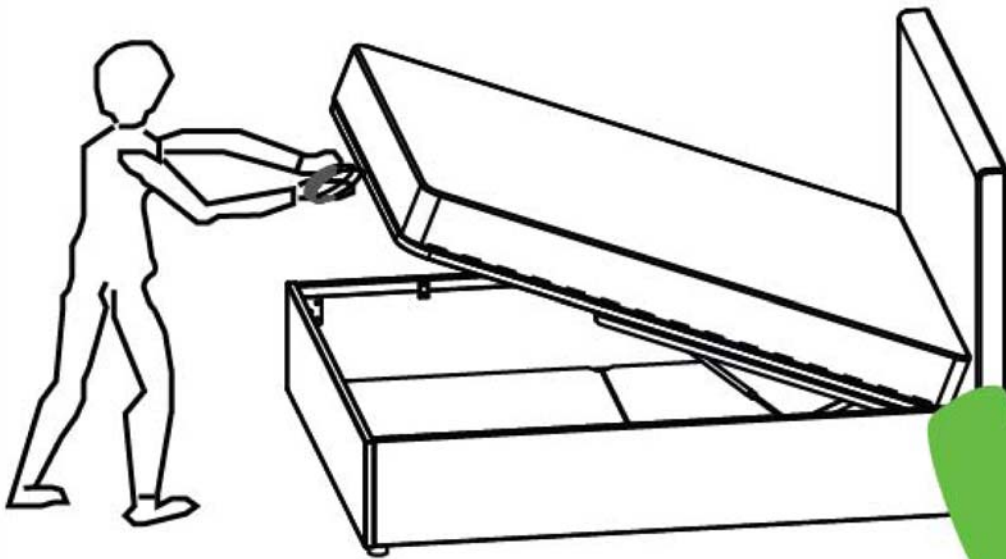


## Job Complete

In the interest of our environment please dispose of all packaging thoughtfully.



DON' T LIFT WITHOUT MATTRESS



ENSURE MATTRESS IS ON  
BEFORE LIFTING