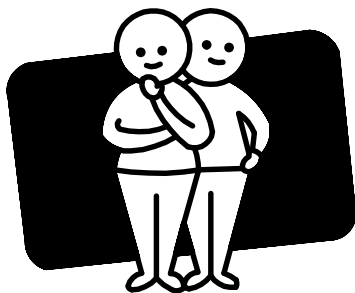


# OMF

Version 1.0



TWO PEOPLE



REQUIRED

# RIO

BEDSIDE

# CAUTION :

Do not stand on, or use the bedside as a step ladder.  
Do not rock on bedside as this may result in injury.

# Enjoy

Your purchase From

# OML

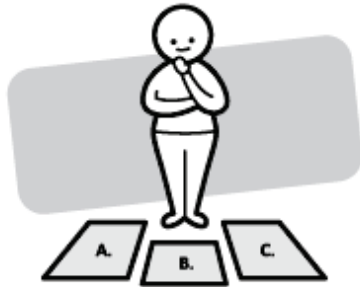
# Assembly checklist



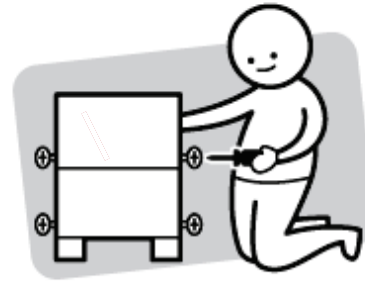
Read through the instructions carefully before you begin.



Make sure you have all the required tools. Never use power tools unless instructed.



Identify and lay out all of the components before you begin assembly.



Unless instructed, do not fully tighten screws until the item is fully assembled.

## Useful Information

- ! Never use power tools unless specifically instructed. They can damage your components or hardware if used incorrectly.
- ! The most common mistakes made during assembly are using the wrong hardware or getting components back to front.
- ! Always use a soft surface (such as carpet or cardboard) when assembling your product to avoid scratching or damaging the surface of the product.
- ! Bulky items such as wardrobes and bunk beds should be assembled in the room they will be used in as they may not fit through a door once assembled.
- ! Never use any glue until you are certain that the parts belong together.
- ! Periodically check and re-tighten all fasteners. Check the product care label or website for product care instructions.
- ! If you are having any difficulties assembling your product, missing any hardware or components please visit our website Help Centre for further assistance.

# What you need

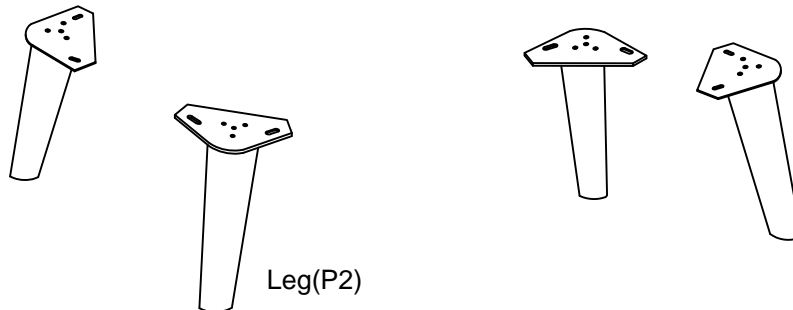
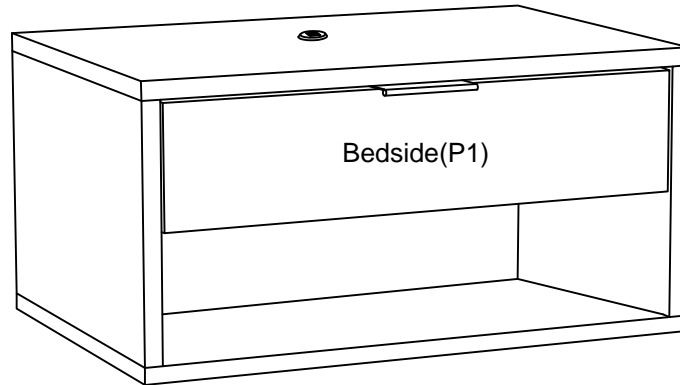
## to assemble the product



DO NOT USE

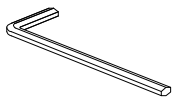


Other tools you need  
Phillips head screwdriver



### Parts list

Box 1 : Bedside(P1) ; Hardware Pack.



1 x M5(Allen Key)  
(H1)



(Bolt)  
8 x M8 x 20mm  
(H2)



(Washer)  
8 x M8 x 19mm  
(H3)



(Wall Strap)  
1 x 125 x 19mm  
(H4)



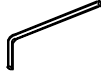
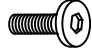

(Small Screw)  
1 x M3 x 19mm  
(H5)

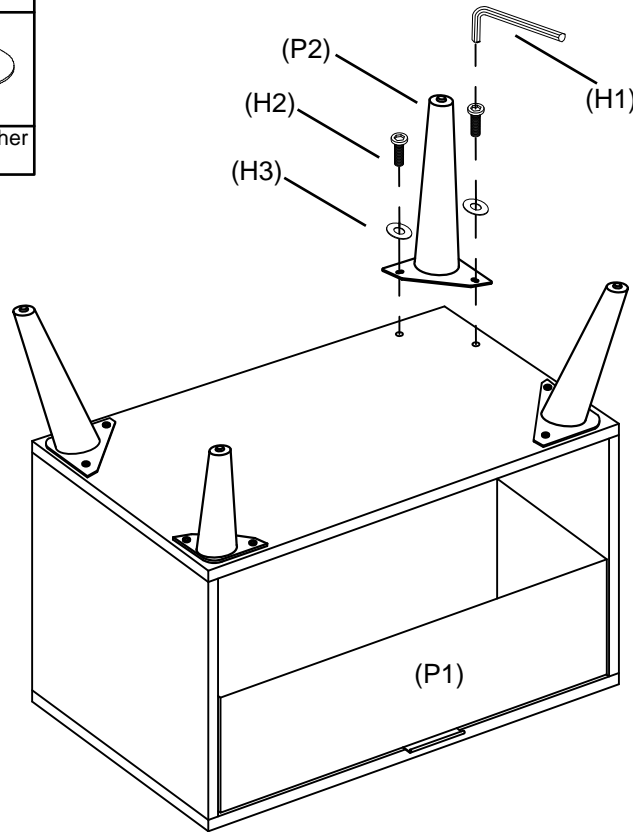
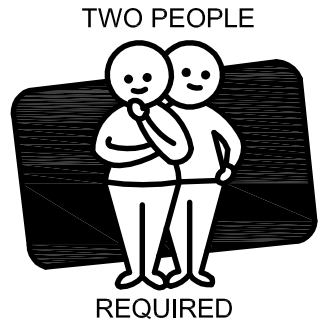


(Washer)  
1 x M6 x 19mm  
(H6)

**Please make sure you have all these parts before you start**

# Step 1

You will need		
		
Allen Key (H1)	8 x Bolt 20mm (H2)	8 x Washer (H3)

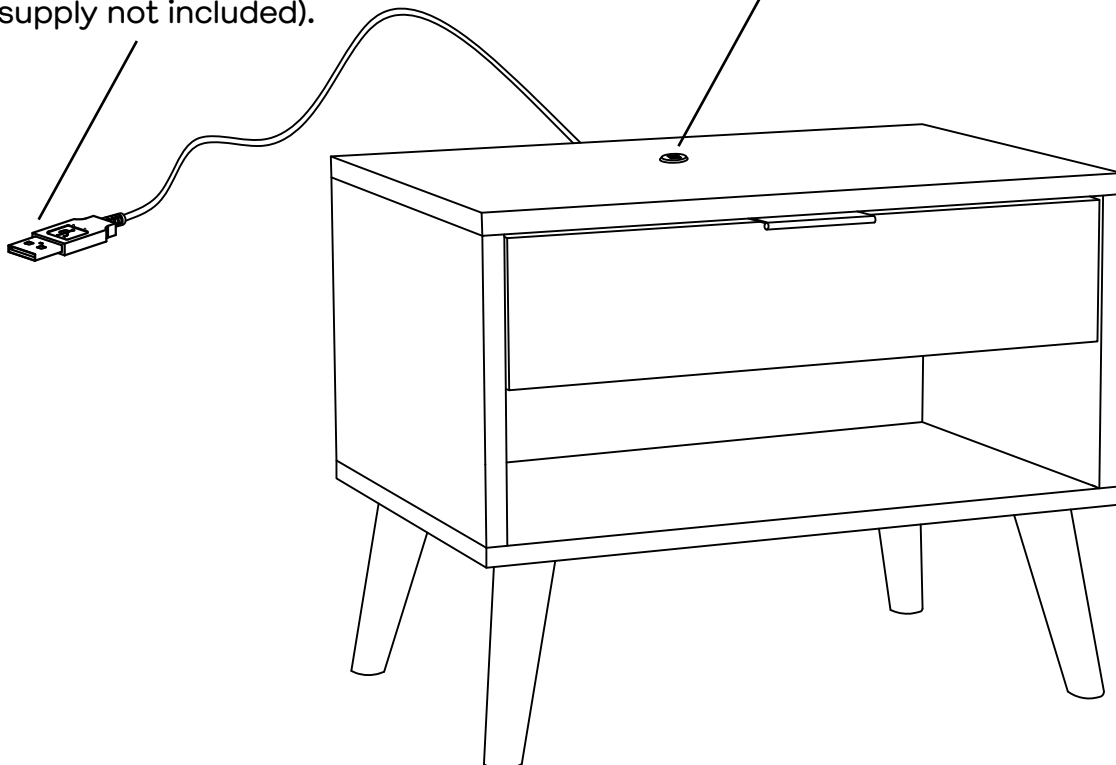


Attach legs(P2) to the bottom of bedside(P1) by using allen key(H1) with 8 x bolts 20mm(H2) and 8 x washers(H3).




# Step 2

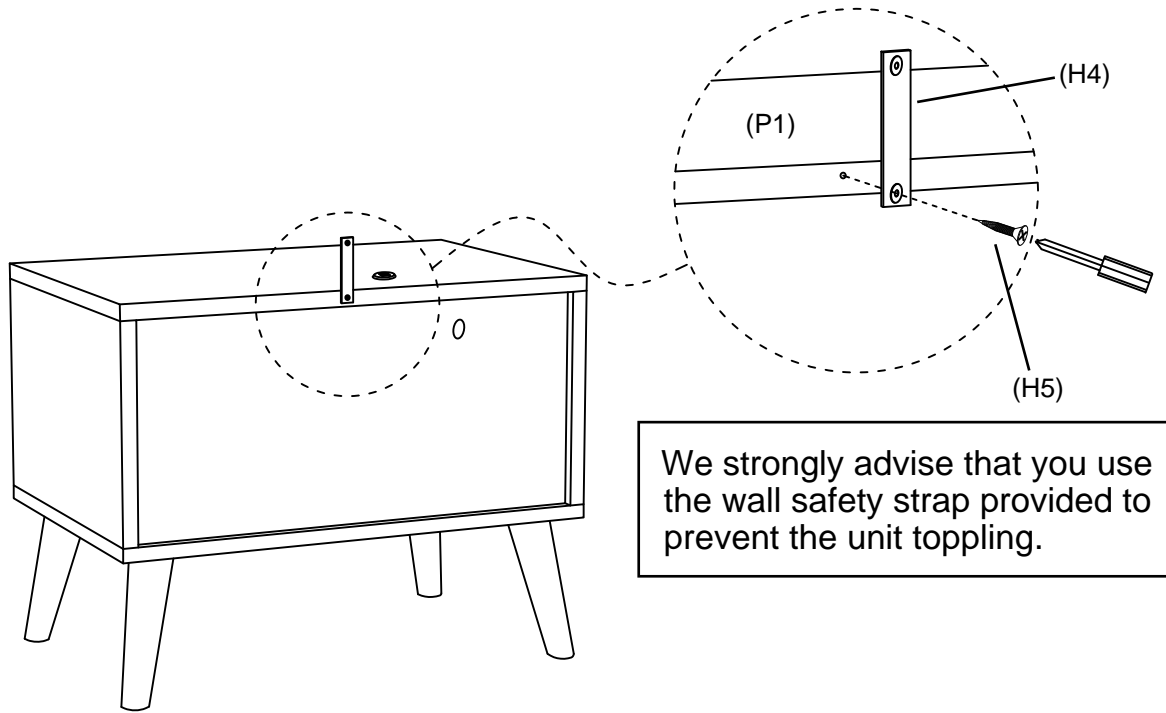
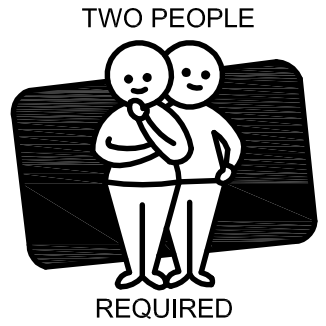
USB cable to connect to your power supply (power supply not included).

The USB portal can be used to charge your device (USB cable not included)



# Step 3



You will need		
		
1 x Safety Strap (H4)	1 x Screw (H5)	Phillips head screwdriver ( not provided )

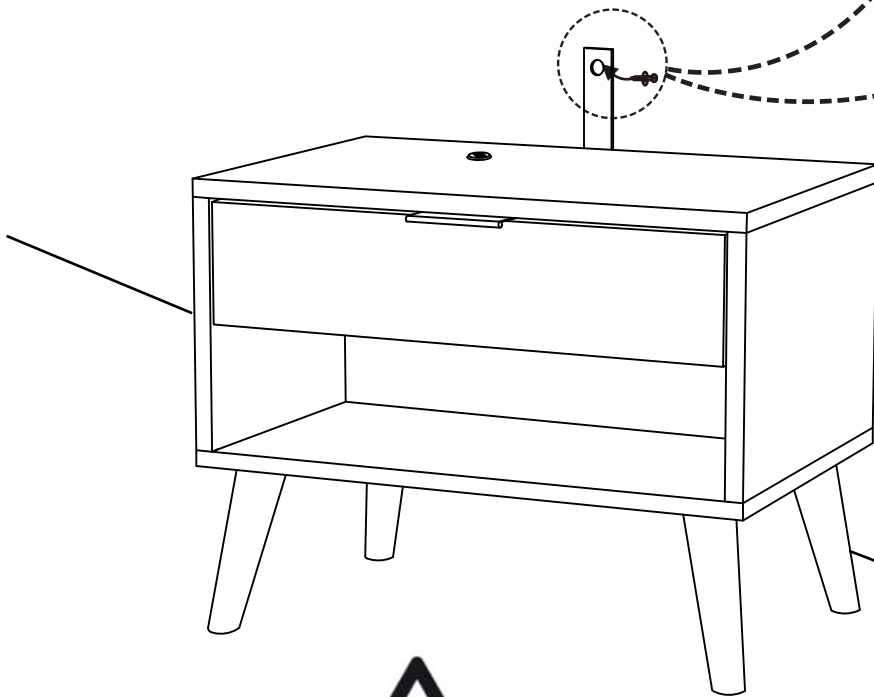
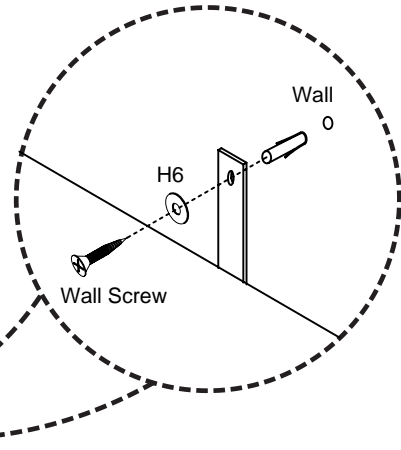


We strongly advise that you use the wall safety strap provided to prevent the unit toppling.

Attach the safety strap(H4) to the back of bedside(P1) by using phillips head screwdriver with a screw(H5).

# Step 4

You will need	
	
1 x Washer (H6)	Phillips head screwdriver
Wall Screw and Wall Plug which are not provided. Please use appropriate fixtures for your wall.	



Seek advice from a qualified trades person on how to attach this safety strap to your specific wall.

Wall



**WARNING: ENSURE THE WALL STRAP IS ATTACHED TO AVOID SERIOUS INJURY.**

To avoid any serious or fatal injury, We strongly recommend that this product is permanently fixed to the wall or other suitable surface. Fixing devices are not included since different surface materials require different attachments. Please seek professional advice if you are in doubt of what fixing device to use.

Choose a suitable wall fixing, and then fasten the strap to the wall as shown.



## **Job Complete**

In the interest of our environment please dispose of all packaging thoughtfully.